



YUYAO NO.4 INSTRUMENT FACTORY

Add: No.66 Changxin Road, Yuyao City, Zhejiang Province, China

Tel: +86-574-62833672 +86-574-62811732

Fax: +86-574-62811735

P.C.:315400

Web:www.fluid-valve.com

E-mail: valve@fluid-valve.com

※If the product parameters changed , we don't inform respectively.

Round-Star®

YUYAO NO.4 INSTRUMENT FACTORY

PROFESSIONAL MANUFACTURER OF SOLENOID VALVES



If want UL and NSF certified solenoid valve, please refer to 2020 version UL and NSF catalog

2020

Professional manufacturer of solenoid valve

YUYAO NO.4 INSTRUMENT FACTORY

Company Profile

Founded in 1965, Yuyao No.4 Instrument Factory has own R&D team, with cutting-edge technology, participated in drafting the national safety standards for solenoid valve. We research, design and manufacture variety of solenoid valves, with the sustained innovation and self-improving, we have mastered the key technology, and got many innovation patents such as Chinese patents ZL 201220323686.4, ZL 201520620670.3, ZL 201720504647.7, German patents Nr. 202016100 570, EU patents No.003022334-0001, No.003022334-0002, No.003866250-001 etc.. The company is equipped with superior production machines, complete testing systems, guaranteeing the products have outstanding quality.

The company is certified by the GJ9001A-2001 and ISO9001-2015 quality management system, has explosion-proof certificate XK06-014-01404, many products pass CE and ROHS(EU), ACS(France), UL and NSF, FDA(USA) certificates. Our products have been exported to many countries and areas, such as Europe, America, Asia and Africa etc.. We are large scale and professional manufacturer for variety of solenoid valves.

Market leader of solenoid valve

The company owns highly qualified staff and professional R&D group, we persist in "customer-first, integrity, human-oriented, excellence", with strict and innovative attitude, offering satisfied products and service for the customers and markets. Outstanding quality is from professional, let's cooperate and create future together!

Enterprise Principal

**"Customer-First, Integrity,
Human-Oriented, Excellence"**



Sophisticated Equipment

A powerful enterprise, the most important thing is to have high quality products. Advanced equipment and production technology is our quality's guarantee.



▲ **Performance Testing Equipment For Solenoid Valve**
To supply qualified products, each solenoid valve has been tested strictly.



▲ **Automatic Digital Winding Machine For The Production Of Coil**
We use automatic digital high-speed winding machine for the production of coil. The machine is characteristic of parallel winding, high precision and high speed.



▲ **Coil Plastic Capsulation Workshop Corner**



▲ **Performance Testing Machine For Solenoid Coil**
To guarantee the quality, each solenoid coil has been tested in the aspects of resistor, laps, current, power and withstand voltage.



▲ **German OXFORD X-MET5000 Spectrometer**
All the metal components of solenoid valve have been tested by OXFORD spectrometer to ensure the rightness of material, which meets various requests for production.



▲ **Iron-Hand Digital Control Lathe**
High-tech iron-hand operating, each operator can manage more than 5 sets digital control lathes, which greatly improve the production efficiency and sharply reduce the production cost. So we can offer more discount to the customer.



▲ **High Precision Automatic Holes Drilling Machine**
The hole of valve cover is positioned and drilled at one time, to ensure the precision, and improves the production efficiency.



▲ **High Performance Digital Automatic Testing Machine For Solenoid Valve**
Each solenoid valve has been tested of high pressure, low pressure, leakage and so on, to ensure that we can offer satisfied products for our customers.



▲ **Digital Automatic TIG Welding Machine**
Each plunge tube is processed by automatic welding machine, to ensure the product tensile strength and air capacity, further improve the welding quality.



▲ **Solenoid Valve Assembly Line**
All the workshops are equipped with air conditioner, to create a clean, comfortable working environment for the employees.

High quality and customer's satisfaction are our persistence and pursuit.

Quality certifications are the passport for company globalization.



ISO9001-2015 certificate



Trademark Registration
Renewed until March 27 2020



Production license



Export license



European design patent



European design patent



Chinese Patent



Flameproof solenoid valve
CCC certification



CCC certificate of encapsulated
low-temperature explosion-proof coil



Encapsulated low-temperature
explosion-proof coil certificate



Chinese Patent



Chinese Patent



American UL certification



Explosion-proof certificate of
explosion-proof solenoid valve



German technical patent



ES-series coil design patent



American NSF certification



American FDA certification



French ACS certification

Products catalog

Water air liquid solenoid valve

RSP pilot operated solenoid valve

Valvebody material: brass, SS316 Interface size: 1/4" ~ 2"
 Working type: pilot operated (NC, NO)
 Working pressure: 0.1 ~ 16bar
 Orifice size: Φ 10 ~ 50mm Flange: DN15~50mm



P01-07

2W direct acting solenoid valve

Valvebody material: brass, SS304
 Interface size: 1/8" ~ 2" Flange DN18 ~ 50mm
 Working type: direct acting, semi-direct acting (NC NO)
 Working pressure: 0 ~ 20bar Orifice size: Φ 1.5 ~ 50mm



P08-18

DFD/DG pilot operated solenoid valve

Valvebody material: brass, SS304, cast iron, ductule iron
 Interface size: 1/2" ~ 3" Flange: DN25 ~ 200mm
 Working type: pilot operated (NC, NO)
 Working pressure: 0.3 ~ 16bar Orifice size: Φ 13 ~ 200mm



P19-28

Signal feedback solenoid valve

Body material: brass, SS304, cast iron
 Interface size: 1/2" ~ 2"
 Orifice size: DN15~100mm
 Action type: semi-direct acting, pilot
 Working pressure: 0 ~ 7bar



P29

ZW direct acting solenoid valve

Valvebody material: brass, SS304
 Working pressure: 0 ~ 10bar
 Working type: semi-direct acting (NC, NO)
 Interface size: 3/8" ~ 2" Orifice size: Φ 15 ~ 50mm



P30

Water air liquid plastic solenoid valve

2W-SL semi-direct acting plastic solenoid valve

Valvebody material: PA66
 Working type: semi-direct acting (NC, NO)
 Working pressure: 0 ~ 7bar
 Interface size: 1/2" ~ 2" Flange and loose joint: DN15 ~ 50mm



P31-32

Products catalog

Water air liquid plastic solenoid valve

YSA pilot operated plastic solenoid valve

Valvebody material: PA66
 Working type: pilot operated (NC, NO)
 Working pressure: 0.3 ~ 8bar
 Interface size: 1/2" ~ 3" Flange and loose joint: DN15 ~ 80mm



P33-34

Steam solenoid valve

PS steam solenoid valve

Valvebody material: brass, SS304
 Interface size: 1/4" ~ 2" Flange DN18 ~ 80mm
 Working type: pilot operated (NC, NO)
 Working pressure: 0.1 ~ 16bar Orifice size: Φ 8 ~ 80mm



P35-39

RSPS zero differential pressure steam solenoid valve

Valvebody material: brass, SS304
 Interface size: 1/4" ~ 2" Flange DN18 ~ 50mm
 Working type: semi-direct acting (NC)
 Working pressure: 0 ~ 10bar Orifice size: Φ 15 ~ 50mm



P40-44

2L piston steam solenoid valve

Valvebody material: brass, SS304
 Working type: pilot operated (NC)
 Working pressure: 0.5 ~ 10bar
 Interface size: 1/2" ~ 2" Orifice size: Φ 17 ~ 38mm



P45

High pressure solenoid valve

YSE high pressure solenoid valve

Valvebody material: SS304
 Working type: direct acting, pilot operated (NC, NO)
 Working pressure: 0 ~ 300bar
 Interface size: 1/4" ~ 1" Orifice size: Φ 1 ~ 25mm



P46

YSI piston high pressure solenoid valve

Valvebody material: SS304
 Interface size: 1/2" ~ 2" Flange DN15 ~ 50mm
 Working type: pilot operated (NC, NO)
 Working pressure: 6 ~ 100bar Orifice size: Φ 15 ~ 50mm



P47-48

Products catalog

High pressure solenoid valve

YSP piston high pressure solenoid valve

Valvebody material: SS304
 Interface size: 1/2" ~ 2" Flange DN15 ~ 50mm
 Working type: pilot operated (NC NO)
 Working pressure: 0.5 ~ 50bar Orifice size: Φ15 ~ 50mm



P49-50

Medium pressure solenoid valve

RSQ low power solenoid valve

Valvebody material: brass, SS304
 Working type: pilot operated (NC)
 Working pressure: 0.3 ~ 16bar
 Interface size: 1/2" ~ 2" Orifice size: Φ13.5 ~ 50mm



P51

RSV low power solenoid valve

Valvebody material: brass
 Working type: direct acting, pilot operated (NC)
 Working pressure: 0 ~ 8bar
 Interface size: 1/8" ~ 1" Orifice size: Φ2.5 ~ 25mm



P52

Underwater fountain solenoid valve

SLDF underwater fountain solenoid valve

valvebody material: brass, SS304, cast iron, PA66
 Interface size: 1/2" ~ 2" Flange: DN15 ~ 200mm
 working type: semi-direct acting, pilot operated (NC,NO)
 working pressure: 0 ~ 8bar Orifice size: Φ15 ~ 200mm



P53-54

Explosion-proof solenoid valve

Encapsulated explosion-proof solenoid valve

Body material: brass, SS304, cast iron
 Connection size: thread: 1/8" ~ 2" Flange: DN15 ~ 200mm
 Action type: direct acting, semi-direct acting, pilot
 Working pressure: 0 ~ 150bar Orifice size: Φ1 ~ 200mm



P55-56

ZCSB explosion-proof solenoid valve

Valvebody material: brass, SS304, cast iron
 Interface size: 1/8" ~ 2" Flange: DN15 ~ 200mm
 Working type: direct acting, pilot operated (NC,NO)
 Working pressure: 0 ~ 16bar Orifice size: Φ15 ~ 200mm



P57-58

Products catalog

Gas solenoid valve

ZCM gas solenoid valve

Valvebody material: brass, SS304, cast iron
 Interface size: 1/8" ~ 2" Flange: DN15 ~ 100mm
 Working type: direct acting, semi-direct acting (NC, NO)
 Working pressure: 0 ~ 4bar Orifice size: Φ3 ~ 100mm



P59-61

Anti-corrosive solenoid valve

ZCF anti-corrosive solenoid valve

Valvebody material: PTFE
 Working type: direct acting (NC, NO)
 Working pressure: 0 ~ 4bar
 Interface size: 1/4" ~ 1"
 Orifice size: Φ2 ~ 11mm



P62-63

ZCF-P anti-corrosive solenoid valve

Valvebody material: UPVC, CPVC
 Working type: pilot operated (NC, NO)
 Working pressure: 0 ~ 6bar
 Interface size: 1/4" ~ 2"
 Orifice size: Φ2 ~ 50mm



P64-65

Bistable latching solenoid valve

YSG series bistable latching solenoid valve

Body material: PA66, SUS304, cast iron
 Connection type: thread: 1/2" ~ 2" Flange: DN65 ~ 200mm
 Working type: pilot NC Working pressure: 0.3 ~ 8bar
 Orifice size: Φ15 ~ 200mm



P66-68

RSZ bistable latching solenoid valve

Body material: brass, SUS304
 Working type: pilot NC
 Working pressure: 0.3 ~ 8bar
 Interface size: 3/8" ~ 2"
 Orifice size: Φ13 ~ 50mm



P69

YSZ bistable latching solenoid valve

Valvebody material: brass, SS304, PA66
 Working type: direct acting, pilot operated (NC)
 Working pressure: 0 ~ 16bar
 Interface size: 1/8" ~ 2"
 Orifice size: Φ2 ~ 50mm



P70

Products catalog

Vacuum solenoid valve

ZK series Vacuum solenoid valve

Body material: brass, SUS304
Interface size: 1/4" ~ 2" Flange: DN65 ~ 100mm
Working type: direct acting, semi-direct acting
Working pressure: -1 ~ +1bar



P71

Large size 3-way solenoid valve

231D series 2-position 3-way solenoid valve

Body material: SUS304 Interface size: 3/8" ~ 1"
Working type: semi direct acting
Control method: 2 in 1 out (hybrid), 1 in 2 out (diverted), 1 in 1 out (reversed)
Working pressure: 0 ~ 10bar Orifice size: Φ 15 ~ 25mm



P72

Small size 3-way solenoid valve

231Y VX3 3/2RSW 3-way mini solenoid valve

Valvebody material: brass, SS304 Interface size: 1/8" ~ 1/4"
Working type: direct acting (NC)
Working pressure: 0 ~ 12bar Orifice size: Φ 1.5 ~ 3mm



P73

VMI 3-way mini solenoid valve

Valvebody material: brass, SS304 Interface size: G1/4"
Working type: direct acting (NC, NO universal)
Working pressure: 0 ~ 13bar Orifice size: Φ 1.6 ~ 4mm



P74

Ro machine water dispenser solenoid valve

RSC RO machine water dispenser solenoid valve

Valvebody material: PP, POM
Interface size: 1/8" ~ 1/4", cannula
Working type: direct acting (NC)
Working pressure: 0 ~ 8bar Orifice size: Φ 2.5 ~ 12mm



P75-76

Miniature (water air, liquid) solenoid valve

UD mini solenoid valve

Valvebody material: brass, SS304
Working type: direct acting pilot operated (NC NO)
Working pressure: 0 ~ 30bar
Interface size: 1/8" ~ 1/2" Orifice size: Φ 1.5 ~ 15mm



P77

YSV YSV-K VX2 mini solenoid valve

Valvebody material: brass, SS304
Working type: direct acting (NC NO)
Working pressure: 0 ~ 30bar
Interface size: 1/8" ~ 1/2" Orifice size: Φ 1.5 ~ 6mm



P78

Products catalog

Miniature (water air, liquid) solenoid valve

RSSM RSW RST mini solenoid valve

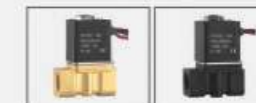
Valvebody material: brass, SS304
Working type: direct acting (NC) Working pressure: 0 ~ 15bar
Interface size: 1/8" ~ 1/4" Orifice size: Φ 1.5 ~ 4mm



P79

RSO-SL RSO V2A mini solenoid valve

Valvebody material: brass, nylon, PP
Working type: direct acting (NC) Working pressure: 0 ~ 14bar
Interface size: 1/8" ~ 1/4" Orifice size: Φ 1.5 ~ 2.5mm



P80

Plate type miniature solenoid valve

231S 231W YSL-028 plate type miniature solenoid valve

Valvebody material: brass
Working type: direct acting (NC) Working pressure: 0 ~ 30bar
Interface size: G1/8" Orifice size: Φ 1.5 ~ 2mm



P81

Electric iron, coffee machine solenoid valve

YSF electric iron, coffee machine solenoid valve

Valvebody material: brass, SS316
Working type: direct acting (NC, NO) Working pressure: 0 ~ 10bar
Interface size: 1/8" Orifice size: Φ 1.5 ~ 2.5mm



P82

Digital timer for solenoid valve

YS-720 YS-790 YS-3800 digital timer

Working voltage: 24V~240V, 7V~36V, 110V~240V AC/DC
Open/Closing time: 0.1s~99h



P83

Encapsulated low temperature energy-saving plastic coil

Encapsulated low temperature explosion-proof coil

Certificate number: GYB17.1593X
Explosion-proof grade: Exmb II C T6 Gb
Working voltage: AC220V, AC110V 50/60Hz, DC24V
Coil center hole: Φ 14.5, Φ 16, Φ 20



P84

Plastic seal coils

ES-series low power (slowly heating-up) energy saving coil

Coil diameter: Φ 14.5, Φ 16, Φ 20



P85-86

Normal thermoset plastic coil

Coil diameter: Φ 14.5, Φ 16, Φ 20



P87-88

Drafter of national safety standards for solenoid valves GB30439.6-2014

ES SERIES BRAN-NEW SOLENOID VALVE

Bran-new CORE TECHNOLOGY, Intelligent IC Module

Strong electromagnetic attraction, which is 3 times more powerful than normal coil

Low power consumption, only cost 20% power of normal coil

Slowly heating-up, under long-time durative power-on working status, the coil rises in temperature very slowly



CN Patent No.:ZL 2012 2 0323686.4
 CN Patent No.:ZL 2015 2 0620670.3
 CN Patent No.:ZL 201530309837.X
 Deutsch Patent:Nr. 20 2016 100 570
 European Patent :No.003022334-0001
 European Patent :No.003022334-0002



ES series low temperature rise, high suction, low power consumption solenoid valve

Low temperature rise, high attraction, low power consumption solenoid valve, Fluid temperature -10°C ~ 80°C .



DFD-15-50ES
 Main valve configuration: DFD series(P20-28)
 Normal voltage: AC220V 8VA DC24V 6W



RSP-10-50ES
 Main valve configuration: RSP series(P01-07)
 Normal voltage: AC220V 3VA DC24V 3W



2W-15-25ES
 Main valve configuration: 2W series(P08-18)
 Normal voltage: AC220V 4VA DC24V 4W



2W-32-50ES
 Main valve configuration: 2W series(P08-18)
 Normal voltage: AC220V 9VA DC24V 8W



2W-15-25SL-ES
 Main valve configuration: 2W-SLP latic valve series(P31-32)
 Normal voltage: AC220V 4VA DC24V 4W



2W-32-50SL-ES
 Main valve configuration: 2W-SL series(P31-32)
 Normal voltage: AC220V 9VA DC24V 8W



YSA-15-50ES
 Main valve configuration: YSA series(P33-P34)
 Normal voltage: AC220V 3VA DC24V 3W



YSE-10-25ES
 Main valve configuration: YSE series(P46)
 Normal voltage: AC220V 8VA DC24V 6W



YSI-15-50ES
 Main valve configuration: YSI series(P47-48)
 Normal voltage: AC220V 8VA DC24V 6W



2W-025-050ES
 Main valve configuration: 2W direct acting series(P08-09)
 Normal voltage: AC220V 6VA DC24V 4W



2W-A-08/15ES
 Main valve configuration: 2W series(P10)
 Normal voltage: AC220V 3VA DC24V 4W



YSE-010-040ES
 Main valve configuration: YSE direct acting series(P46)
 Normal voltage: AC220V 8VA DC24V 6W



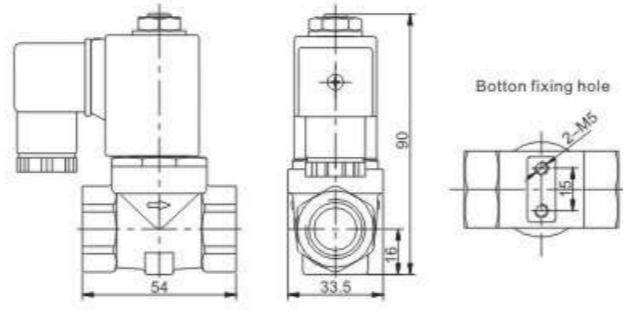
RSP-A mini diaphragm (NC) solenoid valve 1/4 " ~1/2 "



RSP-A-10



RSP-A-15J



RSP-A-series solenoid valve drawing

Working medium: water, liquid, air, light oil(viscosity≤20cst)
Working pressure: 0.1~16bar(details see specification table)
Valve body material: Brass, SS316
Sealing material: NBR, Optional EPDM (-20~130°C) or VITON (-15~120°C)
Working voltage: AC220~240V, AC110V 50/60Hz 22VA, DC24V/DC12V 13W, IP65, H degree
Options: Rc thread, digital timer, LED light connector, ES low temp coil (AC3VA, DC3W)

Medium temperature: -10~80°C(NBR sealing)
Working type: Piloted normally closed
Interface: G thread, NPT thread

Order code

RSP-A	Thread	J	ES	T	V	Voltage
Model	08:1/4" 10:3/8" 15:1/2"	Blank:Brass J:SS316	Blank:plastic coil ES:low temp coil Ex:Encapsulated Ex-proof coil	Blank:G thread T:NPT thread	Blank:NBR V:VITON E:EPDM	AC220V AC110V AC24V DC24V DC12V

RSP-A-series mini diaphragm (NC) solenoid valve specification table

Interface size	Orifice size (mm)	Cv	Working pressure (bar)		Coil insulation degree	Power				Normal order code		
			Min pressure	Max pressure		Normal		ES coil		plastic seal	SS316	
						VA	W	VA	W			
1/4"	10.5	1.5	0.1	16	10	H	22	13	3	3	RSP-A-08-AC220V	RSP-A-08J-AC220V
							AC	DC	AC	DC		
3/8"	10.5	1.5	0.1	16	10	H	22	13	3	3	RSP-A-10-AC220V	RSP-A-10J-AC220V
							AC	DC	AC	DC		
1/2"	10.5	1.5	0.1	16	10	H	22	13	3	3	RSP-A-15-AC220V	RSP-A-15J-AC220V
							AC	DC	AC	DC		

Note: ES/Ex coil can be EPDM, VITON sealed, but fluid temperature ≤ 80°C

RSP series 2-way pilot operated(NC) solenoid valve 3/8 " ~2 "

Working medium: water, liquid, air, light oil (viscosity≤20cst)
Medium temperature: -10~80°C(NBR sealing)
Working pressure: 0.3~16bar (details see specification table)
Working type: pilot operated (NC)
Valve body material: Brass, SS316
Sealing material: NBR (-10~80°C)
Interface: G thread, NPT thread
Working voltage: AC220~240V, AC110V, 50/60Hz, 22VA
 DC24V/DC12V 13W, IP65, H degree



RSP-20



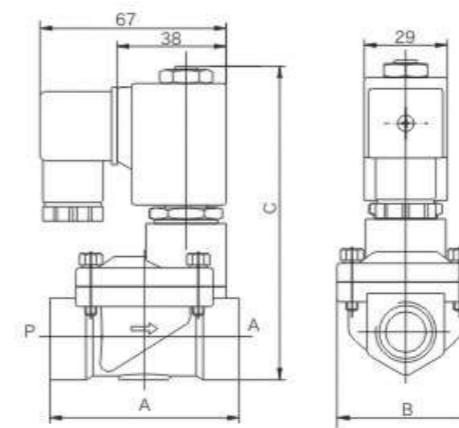
RSP-25J

Options:
Sealing material: EPDM (-20~130°C) or VITON (-15~120°C)
 Rc thread
 Digital timer, LED light connector
 Germany NASS coil
 ES low temp coil (power AC 3VA, DC3W) , Encapsulated Ex-proof coil
 Solenoid valve fluid temperature with ES and Ex coil configurations -10~80°C

Order code

RSP	Thread	J	ES	T	V	Voltage
Model	10:3/8" 15:1/2" 20:3/4" 25:1" 32:1/4" 40:1/2" 50:2"	Blank:Brass J:SS316	Blank:plastic coil ES:low temp coil Ex:Encapsulated Ex-proof coil	Blank:G thread NPT thread	Blank:NBR V:VITON E:EPDM	AC220V AC110V DC110V DC24V DC12V

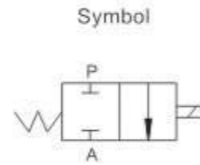
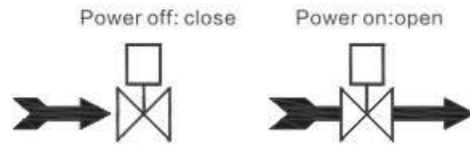
RSP series pilot operated (NC) solenoid valve drawing



Model	A	B	C	Weight (Kg)	
				Brass	SS316
RSP-10	66	48	112	0.7	0.7
RSP-15	66	48	112	0.7	0.7
RSP-20	75	58	118	0.85	0.8
RSP-25	96	69	125	1.35	1.3
RSP-32	131	96	150	2.8	2.8
RSP-40	131	96	150	2.6	2.6
RSP-50	165	120	165	3.9	3.6

RSP series 2-way pilot operated (NC) solenoid valve

NC solenoid valve ON/OFF status



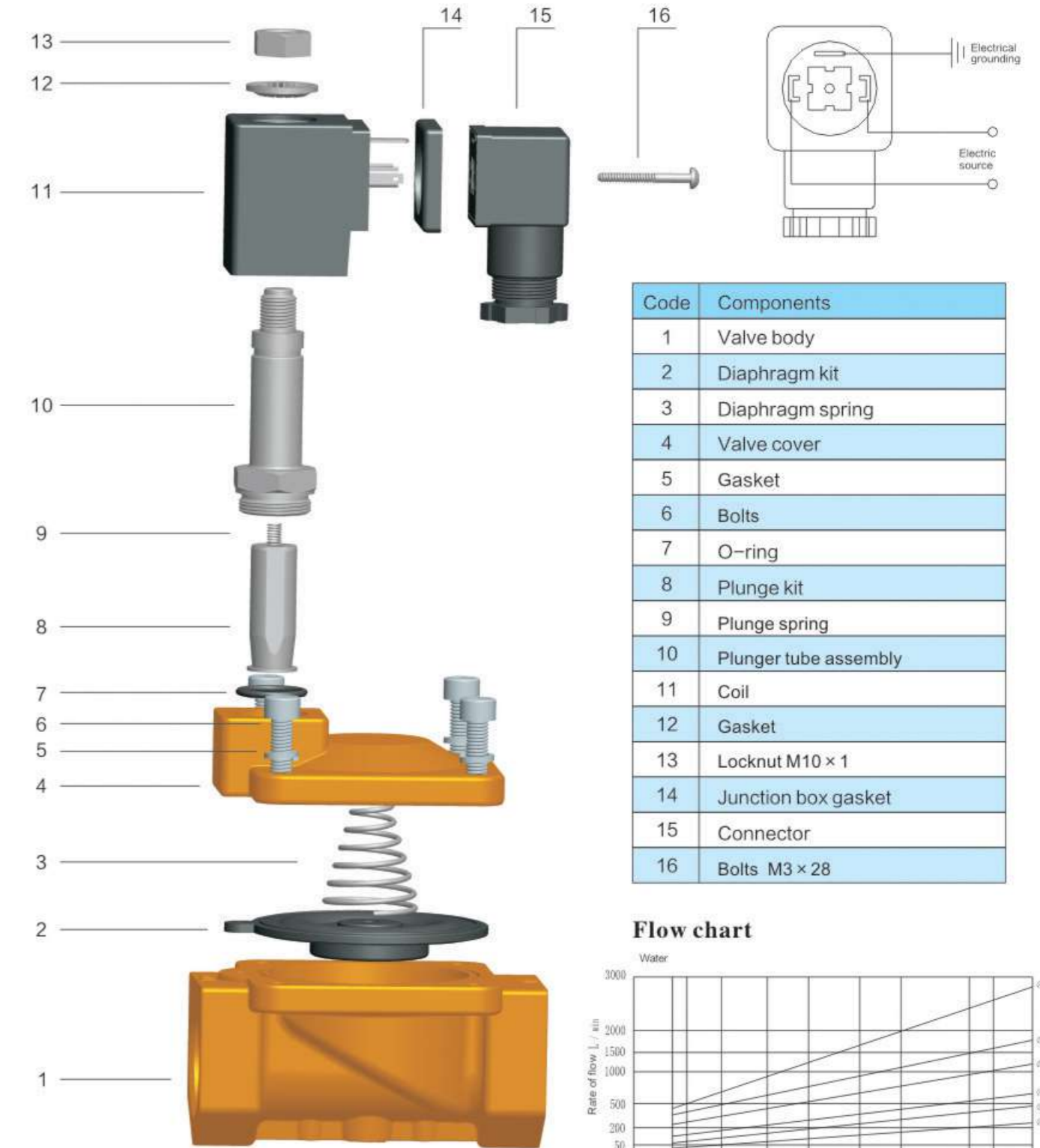
RSP series 2-way pilot operated (NC) solenoid valve specification table

Interface size	Orifice size (mm)	Cv	Working pressure (bar)				Max medium temp (°C)	Sealing material	Coil insulation degree	Coil power				Normal order code	
			Min pressure		Max pressure					Normal coil		ES coil		Plastic coil AC220V G thread Sealing material: Blank: NBR E: EPDM V: VITON	
			Air	Gas	Water	Hotwater				VA	W	VA	W		
			AC	DC	AC	DC				AC	DC	AC	DC		
3/8"	13	4.5	0.3	16	16	80	NBR	H	22	13	3	3	RSP-10-AC220V	RSP-10J-AC220V	
	13	4.5	0.3	16	16	130	EPDM	H	22	13			RSP-10-E-AC220V	RSP-10J-E-AC220V	
	13	4.5	0.3	16	16	120	VITON	H	22	13			RSP-10-V-AC220V	RSP-10J-V-AC220V	
1/2"	13	4.5	0.3	16	16	80	NBR	H	22	13	3	3	RSP-15-AC220V	RSP-15J-AC220V	
	13	4.5	0.3	16	16	130	EPDM	H	22	13			RSP-15-E-AC220V	RSP-15J-E-AC220V	
	13	4.5	0.3	16	16	120	VITON	H	22	13			RSP-15-V-AC220V	RSP-15J-V-AC220V	
3/4"	20	7.6	0.3	16	16	80	NBR	H	22	13	3	3	RSP-20-AC220V	RSP-20J-AC220V	
	20	7.6	0.3	16	16	130	EPDM	H	22	13			RSP-20-E-AC220V	RSP-20J-E-AC220V	
	20	7.6	0.3	16	16	120	VITON	H	22	13			RSP-20-V-AC220V	RSP-20J-V-AC220V	
1"	25	12	0.3	16	16	80	NBR	H	22	13	3	3	RSP-25-AC220V	RSP-25J-AC220V	
	25	12	0.3	16	16	130	EPDM	H	22	13			RSP-25-E-AC220V	RSP-25J-E-AC220V	
	25	12	0.3	16	16	120	VITON	H	22	13			RSP-25-V-AC220V	RSP-25J-V-AC220V	
1 1/4"	32	24	0.3	16	16	80	NBR	H	22	13	3	3	RSP-32-AC220V	RSP-32J-AC220V	
	32	24	0.3	16	16	130	EPDM	H	22	13			RSP-32-E-AC220V	RSP-32J-E-AC220V	
	32	24	0.3	16	16	120	VITON	H	22	13			RSP-32-V-AC220V	RSP-32J-V-AC220V	
1 1/2"	40	30	0.3	16	16	80	NBR	H	22	13	3	3	RSP-40-AC220V	RSP-40J-AC220V	
	40	30	0.3	16	16	130	EPDM	H	22	13			RSP-40-E-AC220V	RSP-40J-E-AC220V	
	40	30	0.3	16	16	120	VITON	H	22	13			RSP-40-V-AC220V	RSP-40J-V-AC220V	
2"	50	48	0.3	16	16	80	NBR	H	22	13	3	3	RSP-50-AC220V	RSP-50J-AC220V	
	50	48	0.3	16	16	130	EPDM	H	22	13			RSP-50-E-AC220V	RSP-50J-E-AC220V	
	50	48	0.3	16	16	120	VITON	H	22	13			RSP-50-V-AC220V	RSP-50J-V-AC220V	

Note: ES, Ex coil can be EPDM, VITON sealed, but fluid temperature ≤ 80 °C

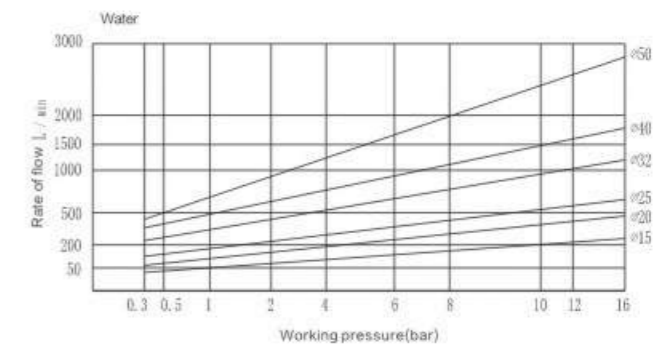
RSP series 2-way pilot operated (NC) solenoid valve

Components table



Code	Components
1	Valve body
2	Diaphragm kit
3	Diaphragm spring
4	Valve cover
5	Gasket
6	Bolts
7	O-ring
8	Plunge kit
9	Plunge spring
10	Plunger tube assembly
11	Coil
12	Gasket
13	Locknut M10 × 1
14	Junction box gasket
15	Connector
16	Bolts M3 × 28

Flow chart



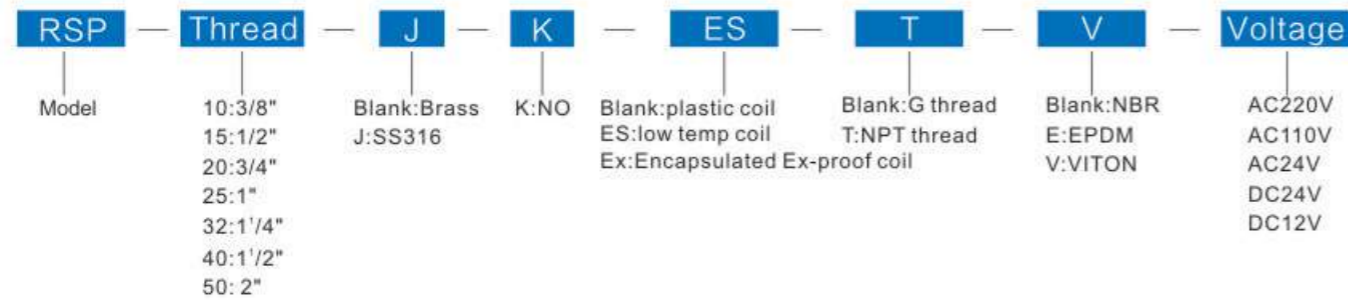
RSP series 2-way pilot operated (NO) solenoid valve 3/8~2"

Working medium: water, liquid, air, light oil (viscosity ≤ 20cst)
Medium temperature: -10~80°C (NBR sealing)
Working pressure: 0.3~8bar (details see specification table)
Working type: pilot operated (NO)
Valve body material: Brass, SS316
Sealing material: NBR (-10~80°C)
Interface: G thread, NPT thread
Working voltage: AC220~240V, AC110V, 50/60Hz
 DN15~25mm: 22VA, DN32~50mm, 24VA
 DC24V, DC12V, 13W, IP65, H deegree
 DN15~25mm: 13W, DN32~50mm, 20W

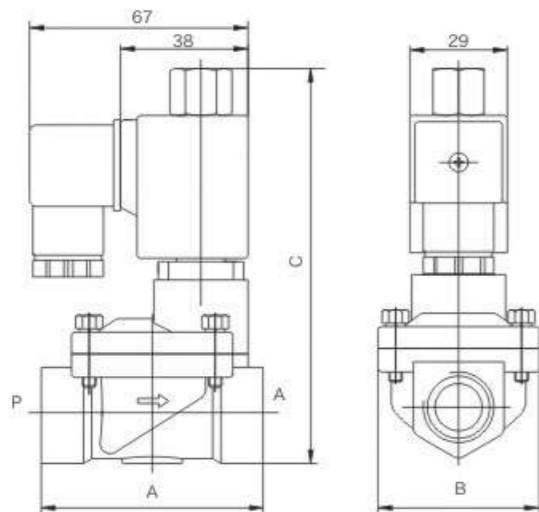


Options:
Sealing material: EPDM (-20~130°C) or VITON (-15~120°C)
 Digital timer, LED light connector, Germany NASS coil,
 ES low temp coil (power AC6VA, DC4W), Encapsulated Ex-proof coil
 Solenoid valve fluid temperature with ES and Ex coil configurations -10~80°C

Order code



RSP-series (NO) solenoid valve drawing



Model	A	B	C	Weight (Kg)	
				Brass	SS316
RSP-10K	66	48	122	0.7	0.7
RSP-15K	66	48	122	0.7	0.7
RSP-20K	75	58	128	0.9	0.9
RSP-25K	96	69	135	1.4	1.3
RSP-32K	131	96	160	2.7	2.5
RSP-40K	131	96	160	2.7	2.5
RSP-50K	165	120	175	3.9	3.6

RSP series 2-way pilot operated (NO) solenoid valve

RSP-series (NO) solenoid valve ON/OFF drawing



RSP-series pilot operated (NO) solenoid valve specification table

Interface size	Orifice size (mm)	Cv	Working pressure (bar)		Max medium temp (°C)	Sealing material	Coil insulation degree	Coil Power				Normal order code		
			Min pressure	Max pressure				Normal coil		ES coil		Plastic coil AC220V G thread Sealing material: Blank: NBR E: EPDM V: VITON		
				Air, gas, Water Hotwater, Liquid Light oil				AC 220 V	DC 24 V	AC 220 V	DC 24 V			
														Brass
3/8"	13	4.5	0.3	8	6	80	NBR	H	22	13	6	4	RSP-10K-AC220V	RSP-10JK-AC220V
	13	4.5	0.3	8	6	130	EPDM	H	22	13			RSP-10K-E-AC220V	RSP-10JK-E-AC220V
	13	4.5	0.3	8	6	120	VITON	H	22	13			RSP-10K-V-AC220V	RSP-10JK-V-AC220V
1/2"	13	4.5	0.3	8	6	80	NBR	H	22	13	6	4	RSP-15K-AC220V	RSP-15JK-AC220V
	13	4.5	0.3	8	6	130	EPDM	H	22	13			RSP-15K-E-AC220V	RSP-15JK-E-AC220V
	13	4.5	0.3	8	6	120	VITON	H	22	13			RSP-15K-V-AC220V	RSP-15JK-V-AC220V
3/4"	20	7.6	0.3	8	6	80	NBR	H	22	13	6	4	RSP-20K-AC220V	RSP-20JK-AC220V
	20	7.6	0.3	8	6	130	EPDM	H	22	13			RSP-20K-E-AC220V	RSP-20JK-E-AC220V
	20	7.6	0.3	8	6	120	VITON	H	22	13			RSP-20K-V-AC220V	RSP-20JK-V-AC220V
1"	25	12	0.3	8	6	80	NBR	H	22	13	6	4	RSP-25K-AC220V	RSP-25JK-AC220V
	25	12	0.3	8	6	130	EPDM	H	22	13			RSP-25K-E-AC220V	RSP-25JK-E-AC220V
	25	12	0.3	8	6	120	VITON	H	22	13			RSP-25K-V-AC220V	RSP-25JK-V-AC220V
1 1/4"	32	24	0.3	8	6	80	NBR	H	24	20	8	6	RSP-32K-AC220V	RSP-32JK-AC220V
	32	24	0.3	8	6	130	EPDM	H	24	20			RSP-32K-E-AC220V	RSP-32JK-E-AC220V
	32	24	0.3	8	6	120	VITON	H	24	20			RSP-32K-V-AC220V	RSP-32JK-V-AC220V
1 1/2"	40	30	0.3	8	6	80	NBR	H	24	20	8	6	RSP-40K-AC220V	RSP-40JK-AC220V
	40	30	0.3	8	6	130	EPDM	H	24	20			RSP-40K-E-AC220V	RSP-40JK-E-AC220V
	40	30	0.3	8	6	120	VITON	H	24	20			RSP-40K-V-AC220V	RSP-40JK-V-AC220V
2"	50	48	0.3	8	6	80	NBR	H	24	20	8	6	RSP-50K-AC220V	RSP-50JK-AC220V
	50	48	0.3	8	6	130	EPDM	H	24	20			RSP-50K-E-AC220V	RSP-50JK-E-AC220V
	50	48	0.3	8	6	120	VITON	H	24	20			RSP-50K-V-AC220V	RSP-50JK-V-AC220V

Note: ES coil can be EPDM, VITON sealed, but fluid temperature ≤ 80°C

RSP-JF flange series pilot operated diaphragm solenoid valve



Working medium: water, liquid, air, light oil ($\leq 20\text{cst}$)
Medium temperature: $-10\sim 80^{\circ}\text{C}$ (NBR sealing)
Working type: Pilot operated (NC, NO)
Sealing material: NBR ($-10\sim 80^{\circ}\text{C}$), EPDM ($-20\sim 130^{\circ}\text{C}$), VITON ($-15\sim 120^{\circ}\text{C}$)
Working voltage: AC220V, AC110V, 50/60Hz 22VA, DC24V, DC12V, 13W

Ambient temperature: $-10\sim 55^{\circ}\text{C}$
Working pressure: 0.3~16bar
Connection type: flange
Valve body material: SS316

Order code

RSP	Orifice	J	F	K	ES	V	Voltage
Model	15:15mm 20:20mm 25:25mm 32:32mm 40:40mm 50:50mm	J:SS316	F:Flange	Blank:NC K:NO	Blank:Plastic coil ES:Low temp coil Ex:Encapsulated Ex-proof coil	Blank:NBR E:EPDM V:VITON	AC220V AC110V AC24V DC24V DC12V

RSP-JF SS flange pilot operated solenoid valve specification table

Orifice size (mm)	Cv	water, liquid, air, light oil ($\leq 20\text{cst}$)				coil insulation	Normally order code	
		working pressure (bar)					Voltage AC220V, Flange connection Sealing material: NBR	
		NC		NO			NC	NO
		AC220V	DC24V	AC220V	DC24V			
15	4.5	0.3~16	0.3~16	0.3~8	0.3~6	H	RSP-15JF-AC220V	RSP-15JFK-AC220V
20	7.6	0.3~16	0.3~16	0.3~8	0.3~6	H	RSP-20JF-AC220V	RSP-20JFK-AC220V
25	12	0.3~16	0.3~16	0.3~8	0.3~6	H	RSP-25JF-AC220V	RSP-25JFK-AC220V
32	24	0.3~16	0.3~16	0.3~8	0.3~6	H	RSP-32JF-AC220V	RSP-32JFK-AC220V
40	30	0.3~16	0.3~16	0.3~8	0.3~6	H	RSP-40JF-AC220V	RSP-40JFK-AC220V
50	48	0.3~16	0.3~16	0.3~8	0.3~6	H	RSP-50JF-AC220V	RSP-50JFK-AC220V

RSP flange pilot operated solenoid valve drawing

Model	L	D	H		K	d	C	f	n-φ	Valve body material	Weight (Kg)
			NC	NO							
RSP-15JF	108	95	145	151	65	46	14	3	4-φ14	(SS316)	2.1
RSP-20JF	118	105	153	159	75	56	16	3	4-φ14		2.5
RSP-25JF	134	115	162	166	85	65	16	3	4-φ14		3.1
RSP-32JF	165	140	184	190	100	76	18	3	4-φ18		5.1
RSP-40JF	165	150	190	196	110	84	18	3	4-φ18		5.7
RSP-50JF	200	165	210	216	125	99	20	3	4-φ18		8.6

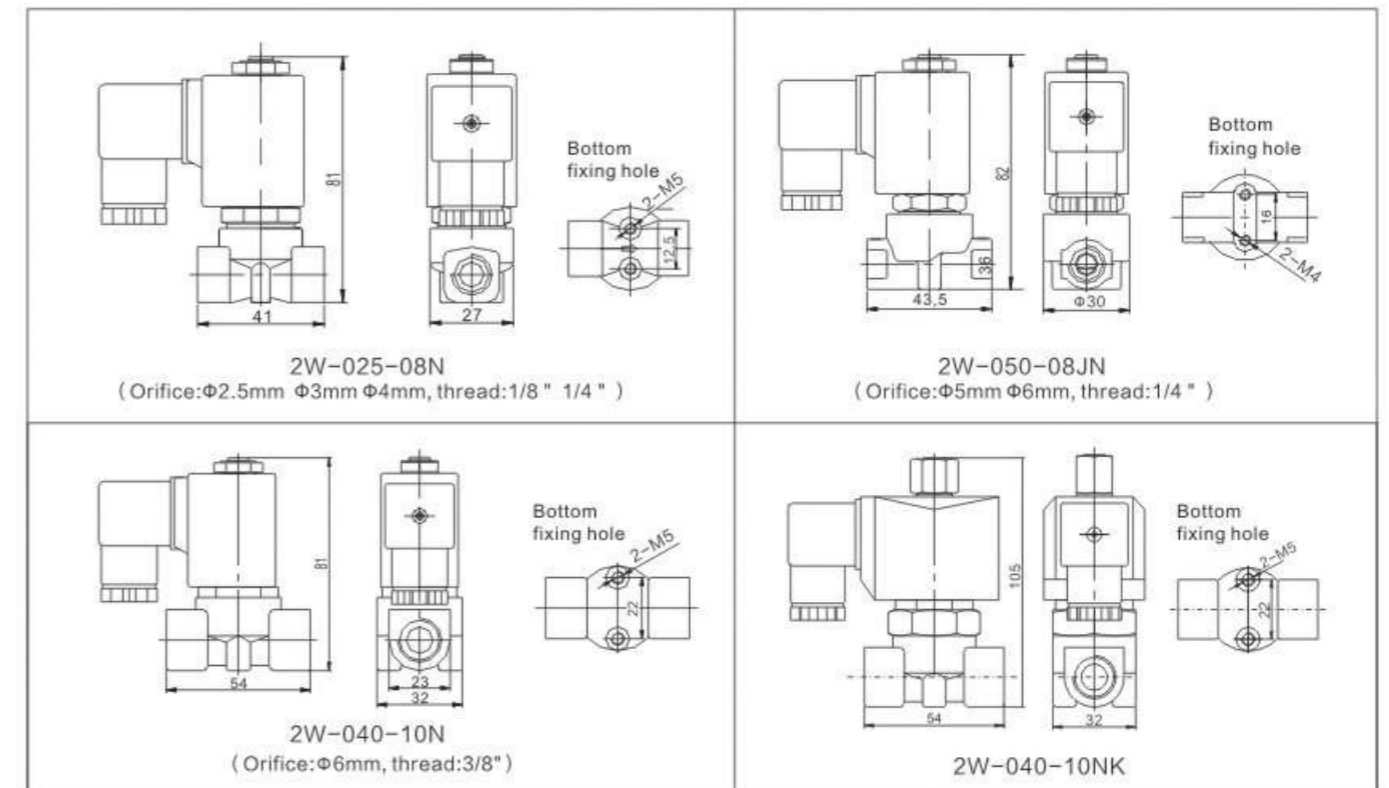
2W series 2-way direct acting (NC) solenoid valve 1/8" ~ 3/8"

Working medium: water, liquid, air, light oil (viscosity $\leq 20\text{cst}$)
Medium temperature: $-10\sim 80^{\circ}\text{C}$ (NBR sealing)
Working pressure: 0~15bar (details see specification table)
Working type: direct acting (NC/NO)
Valve body material: Brass, SS316
Sealing material: NBR ($-10\sim 80^{\circ}\text{C}$)
Interface: G thread, NPT thread
Working voltage: AC220~240V, AC110V 50/60Hz, 22VA, DC24V, DC12V, 13W, IP65, H degree
Options: Rc thread, sealing material: EPDM ($-20\sim 130^{\circ}\text{C}$) or VITON ($-15\sim 120^{\circ}\text{C}$)
 Digital timer, LED light connector, ES low temp coil (AC220V 3VA, DC24V 3W)
 Ex: encapsulated Ex-proof coil

Order code

2W	Orifice	Thread	J	N	T	V	Voltage
Model	025:2.5mm 030:3mm 040:4mm 050:5mm 060:6mm	06:1/8" 08:1/4" 10:3/8"	Blank:Brass J:SS316	N:Plastic coil ES:Low temp coil Ex:Encapsulated Ex-proof coil	Blank:G thread T:NPT thread	Blank:NBR E:EPDM V:VITON Q:VMQ	AC220V AC110V DC24V DC12V

2W series 2-way direct acting (NC) solenoid valve drawing



2W series 2-way direct acting (NC/NO) solenoid valve



2W-025-08N



2W-050-08JN



2W-040-10N



2W-025-040-08NK



2W-040-10NK

2W series 2-way direct acting solenoid valve specification table

Interface size	Orifice size (mm)	Cv	Working pressure (bar)			Power				Normal order code	
						Normal		ES coil			
			Water, Liquid, Air, Gas			VA	W	VA	W	plastic coil AC220V G thread sealing material:NBR	
						AC 220 V	DC 24 V	AC 220 V	DC 24 V		
NC		NO		Brass		SS316					
1/8"	2.5	0.20	0-15	0-12	0-6	22	13	6	4	2W-025-06N-AC220	2W-025-06JN-AC220
	3.0	0.25	0-12	0-10	0-5	22	13	6	4	2W-030-06N-AC220	2W-030-06JN-AC220
	4.0	0.3	0-8	0-5	0-3	22	13	6	4	2W-040-06N-AC220	2W-040-06JN-AC220
1/4"	2.5	0.2	0-15	0-12	0-6	22	13	6	4	2W-025-08N-AC220	2W-025-08JN-AC220
	3.0	0.25	0-12	0-10	0-5	22	13	6	4	2W-030-08N-AC220	2W-030-08JN-AC220
	4.0	0.3	0-8	0-8	0-3	22	13	6	4	2W-040-08N-AC220	2W-040-08JN-AC220
1/4"	5.0	0.4	0-5	0-3		22	13	6	4	2W-050-08N-AC220	2W-050-08JN-AC220
	6.0	0.7	0-4	0-3		22	13	6	4	2W-060-08N-AC220	2W-060-08JN-AC220
3/8"	4.0	0.3	0-8	0-5	0-4	20	20	5	6	2W-040-10N-AC220	2W-040-10JN-AC220

Note: ES coil can be EPDM, VITON sealed, but fluid temperature ≤ 80 °C

2W-A series 2-way mini semi direct acting(NC) solenoid valve 1/4" ~ 1/2"

Working medium: water, liquid, air, light oil (viscosity ≤ 20cst)

Medium temperature: -10 ~ 80°C (NBR sealing)

Working pressure: 0 ~ 20bar (details see specification table)

Working type: semi direct acting (NC)

Valvebody material: Brass, SS316

Sealing material: NBR(-10 ~ 80°C)

Interface: G thread NPT thread

Working voltage: AC220 ~ 240V, AC110V, 50/60Hz, 22VA
DC24V, DC12V, 13W, IP65, H degree

Options: sealing material: EPDM (-20 ~ 130°C) or VITON (-15 ~ 120°C), Digital timer LED light connector, ES low temp coil (AC220V 3VA, DC24V 4W)

Ex: encapsulated Ex-proof coil

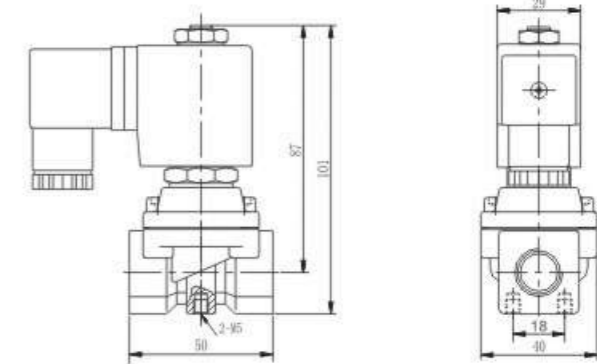


2W-A-15

Order code

2W-A	Thread	J	ES	T	V	Voltage
Model	08:1/4" 10:3/8" 15:1/2"	Blank:brass J:SS316	Blank:plastic coil ES:low temp coil Ex:Encapsulated Ex-proof coil	Blank:G thread T:NPT thread	Blank:NBR E:EPDM V:VITON Q:VMQ	AC220V AC110V DC24V DC12V

2W-A -series solenoid valve drawing



2W-A -series 2-way semi direct acting (NC) solenoid valve specification table

Orifice size (mm)	Interface size	Cv	Working pressure (bar)		Max medium temp (°C)	Sealing material	Coil insulation degree	Coil power				Normal order code		
								Max pressure		Normal coil				Es coil
			Min pressure	Air, gas, Water, Hotwater				VA	W	VA	W	Plastic coil Voltage AC220V G thread Sealing material: Blank: NBR E: EPDM V: VITON		
								AC220 V	DC24 V	AC 220 V	DC 24 V			
				Brass		SS316								
10	1/4"	2.1	0	20	16	80	NBR	H	22	13	3	4	2W-A-08-AC220V	2W-A-08J-AC220V
10		2.1	0	20	16	130	EPDM	H	22	13			2W-A-08-E-AC220V	2W-A-08J-E-AC220V
10		2.1	0	20	16	120	VITON	H	22	13			2W-A-08-V-AC220V	2W-A-08J-V-AC220V
10	3/8"	2.1	0	20	16	80	NBR	H	22	13	3	4	2W-A-10-AC220V	2W-A-10J-AC220V
10		2.1	0	20	16	130	EPDM	H	22	13			2W-A-10-E-AC220V	2W-A-10J-E-AC220V
10		2.1	0	20	16	120	VITON	H	22	13			2W-A-10-V-AC220V	2W-A-10J-V-AC220V
10	1/2"	2.1	0	20	16	80	NBR	H	22	13	3	4	2W-A-15-AC220V	2W-A-15J-AC220V
10		2.1	0	20	16	130	EPDM	H	22	13			2W-A-15-E-AC220V	2W-A-15J-E-AC220V
10		2.1	0	20	16	120	VITON	H	22	13			2W-A-15-V-AC220V	2W-A-15J-V-AC220V

Note: ES coil can be EPDM, VITON sealed, but fluid temperature ≤ 80 °C

2W series thread zero differential pressure(NC) solenoid valve 3/8" ~ 2"

Working medium: water, liquid, air, light oil (viscosity ≤ 20cst)

Medium temperature: -10 ~ 80°C (NBR sealing)

Working pressure: 0 ~ 10bar (details see specification table)

Working type: semi direct acting (NC)

Valvebody material: Brass, SS304

Sealing material: NBR(-10 ~ 80°C)

Interface: G thread, NPT thread

Voltage: AC220 ~ 240V, AC 110V, AC24V, 50/60Hz, DC24V, DC12V, IP65, H degree (iron seal coil: IP54, B degree)
DN10 ~ 20, AC 20VA, DC 20W, DN25, AC 40VA, DC 32W, DN32 ~ 50, AC 30VA, DC 38W

Options:

Rc thread, sealing material: EPDM(-20 ~ 130°C) or VITON(-15 ~ 120°C)

Digital timer, LED light connector

ES low temp coil(DN10 ~ 25, AC220V4VA, DC24V, 4W, DN35 ~ 50, AC220V, 9VA, DC24V, 8W)

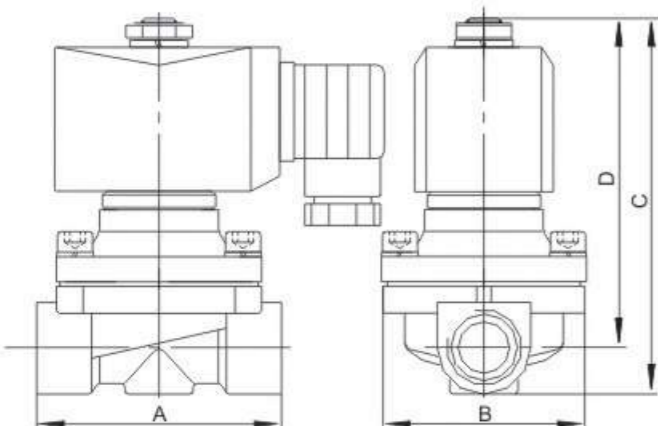
Ex: encapsulated Ex-proof coil

Lead wire iron seal coil

Order code

2W	Thread	J	N	T	V	Voltage
Model	10:3/8" 15:1/2" 20:3/4" 25:1" 32: 1/4" 40: 1/2" 50: 2"	Blank:Brass J:SS304	Blank:Iron coil N:Plastic coil ES:Low temp coil Ex:Encapsulated Ex-proof coil	Blank:G thread T:NPT thread	Blank:NBR E:EPDM V:VITON Q:VMQ	AC220V AC110V AC24V DC24V DC12V

2W series semi direct acting (NC) solenoid valve drawing



Model	A	B	C	D	Weight (Kg)	
					Brass	SS304
2W-10N	68	56	105	91	0.9	0.8
2W-15N	68	56	105	91	0.9	0.8
2W-20N	73	56	111	95	0.9	0.9
2W-25N	100	74	124	103	1.5	1.4
2W-32N	110	85	154	129	2.2	2.1
2W-40N	120	90	162	134	2.3	2.3
2W-50N	154	115	185	151	3.0	4.0

2W series thread 2-way zero differential pressure (NC) solenoid valve



2W-10-25JN



2W-10-25N



2W-32-50N

2W series thread connection 2-way (NC) solenoid valve specification table

Orifice size (mm)	Interface size	Cv	Working pressure (bar)				Max medium temp (°C)	Sealing material	Coil insulation degree	Coil power				Normal order code		
			Min pressure	Max pressure		AC 220 V				DC 24 V	AC 220 V	DC 24 V	Plastic coil			
				air, gas, water, hot water liquid, light oil									VA	W	VA	W
				AC220	DC24								Brass		Ss304	
16	3/8"	4.8	0	10	6	80	NBR	H	20	20	4	4	2W-10N-AC220V	2W-10JN-AC220V		
16	3/8"	4.8	0	10	6	130	EPDM	H	20	20			2W-10N-E-AC220V	2W-10JN-E-AC220V		
16	3/8"	4.8	0	10	6	120	VITON	H	20	20			2W-10N-V-AC220V	2W-10JN-V-AC220V		
16	1/2"	4.8	0	10	6	80	NBR	H	20	20	4	4	2W-15N-AC220V	2W-15JN-AC220V		
16	1/2"	4.8	0	10	6	130	EPDM	H	20	20			2W-15N-E-AC220V	2W-15JN-E-AC220V		
16	1/2"	4.8	0	10	6	120	VITON	H	20	20			2W-15N-V-AC220V	2W-15JN-V-AC220V		
20	3/4"	7.6	0	10	6	80	NBR	H	20	20	4	4	2W-20N-AC220V	2W-20JN-AC220V		
20	3/4"	7.6	0	10	6	130	EPDM	H	20	20			2W-20N-E-AC220V	2W-20JN-E-AC220V		
20	3/4"	7.6	0	10	6	120	VITON	H	20	20			2W-20N-V-AC220V	2W-20JN-V-AC220V		
25	1"	12	0	10	6	80	NBR	H	40	32	4	4	2W-25N-AC220V	2W-25JN-AC220V		
25	1"	12	0	10	6	130	EPDM	H	40	32			2W-25N-E-AC220V	2W-25JN-E-AC220V		
25	1"	12	0	10	6	120	VITON	H	40	32			2W-25N-V-AC220V	2W-25JN-V-AC220V		
32	1 1/4"	24	0	10	6	80	NBR	H	30	38	9	8	2W-32N-AC220V	2W-32JN-AC220V		
32	1 1/4"	24	0	10	6	130	EPDM	H	30	38			2W-32N-E-AC220V	2W-32JN-E-AC220V		
32	1 1/4"	24	0	10	6	120	VITON	H	30	38			2W-32N-V-AC220V	2W-32JN-V-AC220V		
40	1 1/2"	29	0	10	6	80	NBR	H	30	38	9	8	2W-40N-AC220V	2W-40JN-AC220V		
40	1 1/2"	29	0	10	6	130	EPDM	H	30	38			2W-40N-E-AC220V	2W-40JN-E-AC220V		
40	1 1/2"	29	0	10	6	120	VITON	H	30	38			2W-40N-V-AC220V	2W-40JN-V-AC220V		
50	2"	48	0	10	6	80	NBR	H	30	38	9	8	2W-50N-AC220V	2W-50JN-AC220V		
50	2"	48	0	10	6	130	EPDM	H	30	38			2W-50N-E-AC220V	2W-50JN-E-AC220V		
50	2"	48	0	10	6	120	VITON	H	30	38			2W-50N-V-AC220V	2W-50JN-V-AC220V		

Note: ES, Ex coil can be EPDM, VITON sealed, but fluid temperature ≤ 80 ° C

2W series thread 2-way zero pressure difference(NO) solenoid valve 3/8" ~ 2"

Working medium: water, liquid, air, light oil (viscosity ≤ 20cst)

Medium temperature: -10~80°C (NBR sealing)

Working pressure: 0~6bar

Working type: semi direct acting (NO)

Valvebody material: Brass, SS304

Sealing material: NBR(-10~80°C)

Interface: G thread, NPT thread

Working voltage: AC220~240V, AC110V, 50/60Hz, DC24 /12V, IP65, H degree, voltage could be customized
 DN10~20mm: AC220V 20VA, DC24V 20W, DN25mm: AC220V 40VA, DC24V 32W,
 DN32~50mm: AC220V 30VA, DC24V 38W

Options:

Rc thread, sealing material: EPDM (-20~130°C) or VITON (-15~120°C)

Digital timer, LED light connector

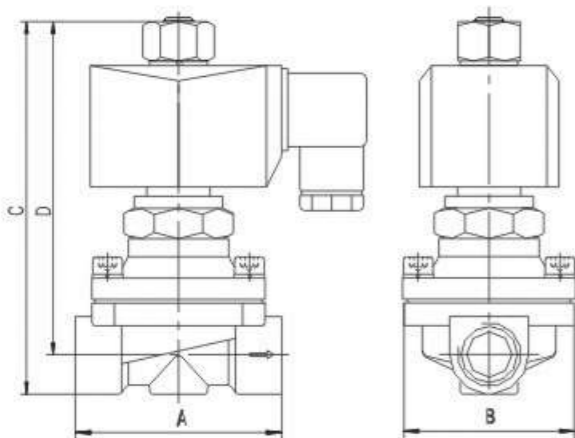
ES low temp coil (DN10~25: AC220V 5VA DC24V 6W, DN32~50: AC9VA, DC 8W)

Ex: encapsulated Ex-proof coil

Order code

2W	Thread	J	N	K	T	V	Voltage
Model	10:3/8" 15:1/2" 20:3/4" 25:1" 32:1 1/4" 40:1 1/2" 50:2"	Blank:Brass J:SS304 C:Cast iron	Blank:Iron coil N:Plastic coil ES:Low temp coil Ex:Encapsulated Ex-proof coil	K:NO	Blank:G thread T:NPT thread	Blank:NBR E:EPDM V:VITON Q:VMQ	AC220V AC110V AC24V DC24V

2W series thread connection (NO) solenoid valve drawing and dimension table



Model	A	B	C	D	Weight (Kg)	
					Brass	SS
2W-10NK	68	56	131	118	1.0	0.9
2W-15NK	68	56	131	118	1.0	0.9
2W-20NK	73	56	140	123	1.0	0.9
2W-25NK	100	74	168	147	1.6	1.6
2W-35NK	110	85	185	160	2.3	2.2
2W-40NK	120	90	193	165	2.5	2.5
2W-50NK	154	115	210	176	3.2	4.2

2W series thread connection 2-way zero pressure difference(NO) solenoid valve



2W-10-25JNK



2W-10-25NK



2W-32-50NK

2W series thread connection 2-way (NO) solenoid valve specification table

Interface size	Orifice size (mm)	Cv	Working pressure (bar)				Max medium temp (°C)	Sealing material	Coil insulation degree	Coil power				Normal order code	
			Min pressure	Max pressure		VA				W	VA	W	Plastic coil Voltage AC220V Thread:G thread Sealing material: Blank:NBR E:EPDM V:VITON		
				Air	Gas										
				Water	Hot water										
AC220	DC24	AC220	DC24	Brass	SS304										
3/8"	16	4.8	0	6	6	80	NBR	H	20	20	5	6	2W-10NK-AC220V	2W-10JNK-AC220V	
	16	4.8	0	6	6	130	EPDM	H	20	20			2W-10NK-E-AC220V	2W-10JNK-E-AC220V	
	16	4.8	0	6	6	120	VITON	H	20	20			2W-10NK-V-AC220V	2W-10JNK-V-AC220V	
1/2"	16	4.8	0	6	6	80	NBR	H	20	20	5	6	2W-15NK-AC220V	2W-15JNK-AC220V	
	16	4.8	0	6	6	130	EPDM	H	20	20			2W-15NK-E-AC220V	2W-15JNK-E-AC220V	
	16	4.8	0	6	6	120	VITON	H	20	20			2W-15NK-V-AC220V	2W-15JNK-V-AC220V	
3/4"	20	7.6	0	6	6	80	NBR	H	20	20	5	6	2W-20NK-AC220V	2W-20JNK-AC220V	
	20	7.6	0	6	6	130	EPDM	H	20	20			2W-20NK-E-AC220V	2W-20JNK-E-AC220V	
	20	7.6	0	6	6	120	VITON	H	20	20			2W-20NK-V-AC220V	2W-20JNK-V-AC220V	
1"	25	12	0	6	6	80	NBR	H	40	32	5	6	2W-25NK-AC220V	2W-25JNK-AC220V	
	25	12	0	6	6	130	EPDM	H	40	32			2W-25NK-E-AC220V	2W-25JNK-E-AC220V	
	25	12	0	6	6	120	VITON	H	40	32			2W-25NK-V-AC220V	2W-25JNK-V-AC220V	
1 1/4"	32	24	0	6	6	80	NBR	H	30	38	9	8	2W-32NK-AC220V	2W-32JNK-AC220V	
	32	24	0	6	6	130	EPDM	H	30	38			2W-32NK-E-AC220V	2W-32JNK-E-AC220V	
	32	24	0	6	6	120	VITON	H	30	38			2W-32NK-V-AC220V	2W-32JNK-V-AC220V	
1 1/2"	40	29	0	6	6	80	NBR	H	30	38	9	8	2W-40NK-A-AC220V	2W-40JNK-AC220V	
	40	29	0	6	6	130	EPDM	H	30	38			2W-40NK-E-AC220V	2W-40JNK-E-AC220V	
	40	29	0	6	6	120	VITON	H	30	38			2W-40NK-V-AC220V	2W-40JNK-V-AC220V	
2"	50	48	0	6	6	80	NBR	H	30	38	9	8	2W-50NK-AC220V	2W-50JNK-AC220V	
	50	48	0	6	6	130	EPDM	H	30	38			2W-50NK-E-AC220V	2W-50JNK-E-AC220V	
	50	48	0	6	6	120	VITON	H	30	38			2W-50NK-V-AC220V	2W-50JNK-V-AC220V	

Note: ES coil can be EPDM, VITON sealed, but fluid temperature ≤ 80 °C

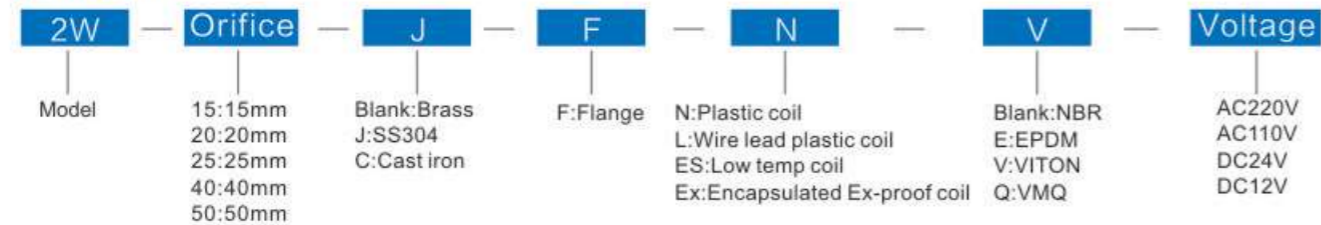
2W series flange zero differential pressure(NC) solenoid valve DN15 ~ 50mm



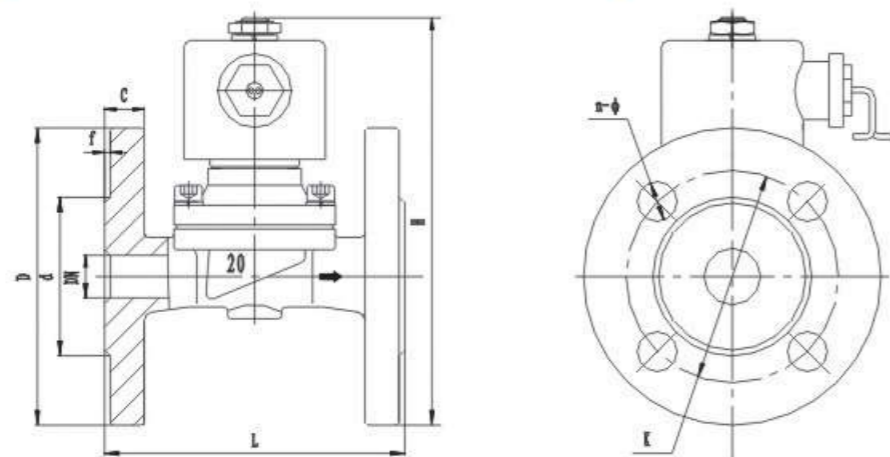
Working medium: water, liquid, air, light oil (viscosity ≤ 20cst)
Medium temperature: -10~80°C (NBR sealing)
Working pressure: 0~10bar (details see specification table)
Working type: semi direct acting (NC)
Valvebody material: Brass, SS304, cast iron
Sealing material: NBR (-10~80°C)
Voltage: AC220~240V, AC110V, 50/60Hz, DN10~20mm: 20VA, DN25mm: 40VA, DN32~50: 30VA
 DC24V, DC12V; DN10~20: 20W, DN25mm: 32W, DN32~50mm: 38W, plastic coil: IP65, H degree

Options:
 Sealing material: EPDM (-20~130°C), VITON (-15~120°C), VMQ (-15~130°C)
 Digital timer, LED light connector
 ES low temp coil (DN10~25 AC220V 4VA, DC24V 4W; DN32~50 AC220V 9VA, DC24V 8W)
 Ex: encapsulated Ex-proof coil

Order code



2W series flange connection(NC) solenoid valve drawing



2W series flange 2-way zero differential pressure (NC) solenoid valve

2W series flange connection (NC) solenoid valve specification table

Model	Connection	Orifice size(mm)	Cv	Working pressure (bar)		Max medium temp (°C)	Sealing material	Coil insulation degree	Coil power				Material	Weight (Kg)	
				Min pressure	Max pressure				Normal coil		ES coil				
									VA	W	VA	W			
									AC 220 V	DC 24 V	AC 220 V	DC 24 V			
2W-15JFN	Flange	18	7.2	0	10	6	80	NBR	H	20	20	4	4	SS304	1.8
2W-20JFN		18	7.2	0	10	6	80	NBR	H	20	20	4	4		1.8
2W-25JFN		25	12	0	10	6	80	NBR	H	40	32	4	4		2.7
2W-32JFN		35	24	0	10	6	80	NBR	H	30	38	9	8		3.8
2W-40JFN		40	29	0	10	6	80	NBR	H	30	38	9	8		4.8
2W-50JFN		50	48	0	10	6	80	NBR	H	30	38	9	8		6.3
2W-32FN		35	24	0	10	6	80	NBR	H	30	38	9	8	Brass	4.0
2W-40FN		40	29	0	10	6	80	NBR	H	30	38	9	8		5.2
2W-50FN		50	48	0	10	6	80	NBR	H	30	38	9	8		6.8
2W-40CFN		40	29	0	10	6	80	NBR	H	30	38	9	8	Cast iron	4.6
2W-50CFN		50	48	0	10	6	80	NBR	H	30	38	9	8		6.1

Note: ES/Ex coil can be EPDM, VITON sealed, but fluid temperature ≤ 80°C

2W series flange connection(NC) solenoid valve dimension table

Model	PN=1.6MPa GB/T9113.1-2000 Flange connection dimension(mm)								
	DN	L	D	H	K	d	C	f	n-Φ
2W-15JFN	18	106	95	141	65	46	14	2	4-Φ14
2W-20JFN	18	106	105	143	75	56	16	2	4-Φ14
2W-25JFN	25	135	115	166	85	65	16	3	4-Φ14
2W-32JFN	32	142	140	204	100	76	18	3	4-Φ18
2W-40JFN	40	149	150	217	110	84	18	3	4-Φ18
2W-50JFN	50	184	165	227	125	99	20	3	4-Φ18
2W-32FN	32	140	140	198	100	76	18	3	4-Φ18
2W-40FN	40	150	150	211	110	84	18	3	4-Φ18
2W-50FN	50	186	165	234	125	99	20	3	4-Φ18
2W-40CFN	40	165	150	215	110	84	18	3	4-Φ18
2W-50CFN	50	195	165	240	125	99	20	3	4-Φ18

2W series flange 2-way zero pressure difference(NO) solenoid valve DN15~50mm

Working medium: water, liquid, air, light oil (viscosity ≤ 20cst)

Medium temperature: -10~80°C (NBR sealing)

Working pressure: 0~6bar

Working type: semi direct acting (NO)

Valvebody material: Brass, SS304, cast iron

Sealing material: NBR(-10~80°C)

Working voltage: AC220~240V, AC110V, 50/60Hz, DC24V, DC12V, IP65 H degree, voltage could be customized
DN10~20: AC20VA, DC20W, DN25: AC40VA, DC32W, DN32~50: AC30VA, DC38W

Options:

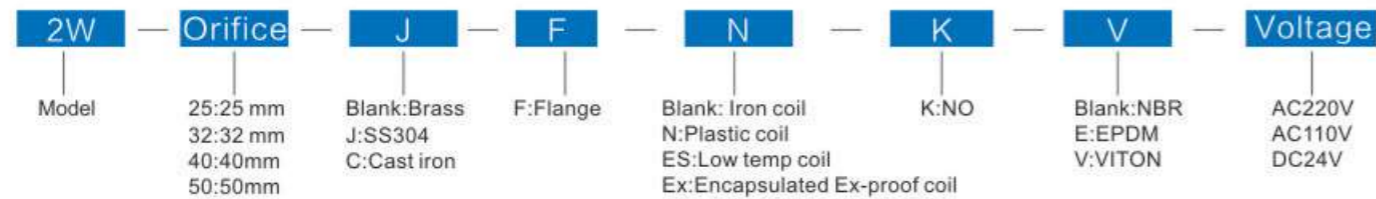
Sealing material: EPDM (-20~130°C) or VITON (-15~120°C)

Digital timer, LED light connector

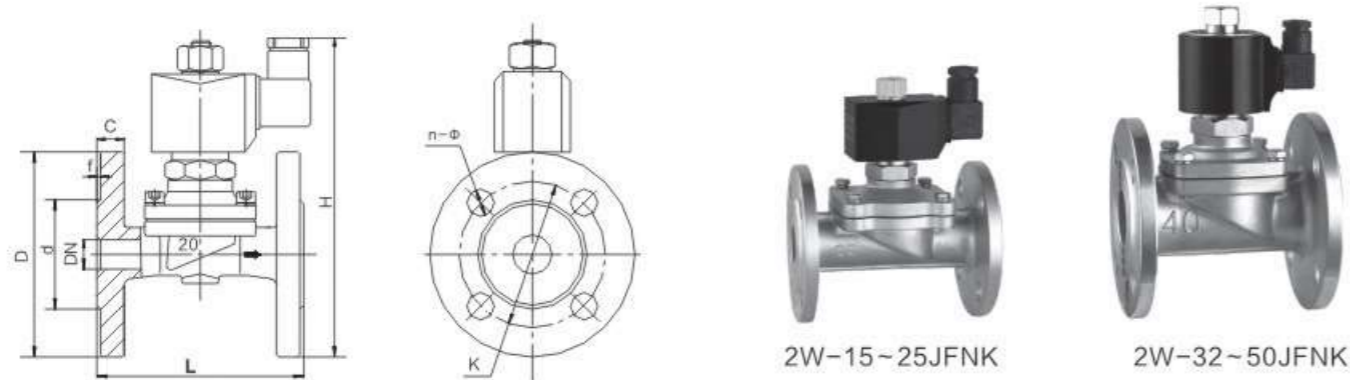
ES low temp coil (DN10~25: AC220V5VA, DC24V6W, DN32~50: AC9VA, DC8W)

Ex: encapsulated Ex-proof coil

Order code



2W series flange connection(NO) solenoid valve drawing and dimension table



Model	PN=1.6MPa GB/T9113.1-2000 flange connection dimension(mm)								
	DN	L	D	H	K	d	C	f	n-Φ
2W-15JF-NK	18	106	95	152	65	46	14	2	4-Φ14
2W-20JF-NK	18	106	105	152	75	56	16	2	4-Φ14
2W-25JF-NK	25	135	115	165	85	65	16	3	4-Φ14
2W-32JF-NK	32	142	140	224	100	76	18	3	4-Φ18
2W-40JF-NK	40	149	150	236	110	84	18	3	4-Φ18
2W-50JF-NK	50	184	165	256	125	99	20	3	4-Φ18
2W-32F-NK	32	140	140	224	100	76	18	3	4-Φ18
2W-40F-NK	40	150	150	236	110	84	18	3	4-Φ18
2W-50F-NK	50	186	165	256	125	99	20	3	4-Φ18
2W-40CF-NK	40	170	150	236	110	84	18	3	4-Φ18
2W-50CF-NK	50	200	165	256	125	99	20	3	4-Φ18

2W series flange 2-way zero differential pressure(NO) solenoid valve

2W series flange connection (NO) solenoid valve specification table

Model	Orifice size (mm)	Cv	Working pressure (bar)				Max medium temp (°C)	Sealing material	Coil insulation degree	Coil power				Normal order code	Weight (Kg)		
			Min pressure	Max pressure		AC 220 V				DC 24 V	Normal coil		ES coil				
				Air, Gas, Water, Hot water, Liquid Light oil	AC						DC	VA	W			VA	W
2W-15JF-NK (SS304)	18	7.2	0	6	6	80	NBR	H	20	20	5	6	2W-15JF-NK-AC220	1.9			
	18	7.2	0	6	6	130	EPDM	H	20	20			2W-15JF-NK-E-AC220	1.9			
	18	7.2	0	6	6	120	VITON	H	20	20			2W-15JF-NK-V-AC220	1.9			
2W-20JF-NK (SS304)	18	7.2	0	6	6	80	NBR	H	20	20	5	6	2W-20JF-NK-AC220	1.9			
	18	7.2	0	6	6	130	EPDM	H	20	20			2W-20JF-NK-E-AC220	1.9			
	18	7.2	0	6	6	120	VITON	H	20	20			2W-20JF-NK-V-AC220	1.9			
2W-25JF-NK (SS304)	25	12	0	6	6	80	NBR	H	40	32	5	6	2W-25JF-NK-AC220	2.8			
	25	12	0	6	6	130	EPDM	H	40	32			2W-25JF-NK-E-AC220	2.8			
	25	12	0	6	6	120	VITON	H	40	32			2W-25JF-NK-V-AC220	2.8			
2W-32JF-NK (SS304)	32	24	0	6	6	80	NBR	H	30	38	9	8	2W-32JF-NK-AC220	4.2			
	32	24	0	6	6	130	EPDM	H	30	38			2W-32JF-NK-E-AC220	4.2			
	32	24	0	6	6	120	VITON	H	30	38			2W-32JF-NK-V-AC220	4.2			
2W-40JF-NK (SS304)	40	29	0	6	6	80	NBR	H	30	38	9	8	2W-40JF-NK-AC220	5.3			
	40	29	0	6	6	130	EPDM	H	30	38			2W-40JF-NK-E-AC220	5.3			
	40	29	0	6	6	120	VITON	H	30	38			2W-40JF-NK-V-AC220	5.3			
2W-50JF-NK (SS304)	50	48	0	6	6	80	NBR	H	30	38	9	8	2W-50JF-NK-AC220	6.8			
	50	48	0	6	6	130	EPDM	H	30	38			2W-50JF-NK-E-AC220	6.8			
	50	48	0	6	6	120	VITON	H	30	38			2W-50JF-NK-V-AC220	6.8			
2W-32F-NK (Brass)	32	24	0	6	6	80	NBR	H	30	38	9	8	2W-32F-NK-AC220	5.2			
	32	24	0	6	6	130	EPDM	H	30	38			2W-32F-NK-E-AC220	5.2			
	32	24	0	6	6	120	VITON	H	30	38			2W-32F-NK-V-AC220	5.2			
2W-40F-NK (Brass)	40	29	0	6	6	80	NBR	H	30	38	9	8	2W-40F-NK-AC220	6.3			
	40	29	0	6	6	130	EPDM	H	30	38			2W-40F-NK-E-AC220	6.3			
	40	29	0	6	6	120	VITON	H	30	38			2W-40F-NK-V-AC220	6.3			
2W-50F-NK (Brass)	50	48	0	6	6	80	NBR	H	30	38	9	8	2W-50F-NK-AC220	7.0			
	50	48	0	6	6	130	EPDM	H	30	38			2W-50F-NK-E-AC220	7.0			
	50	48	0	6	6	120	VITON	H	30	38			2W-50F-NK-V-AC220	7.0			
2W-40CF-NK (Cast iron)	40	29	0	6	6	80	NBR	H	30	38	9	8	2W-40CF-NK-AC220	6.7			
	40	29	0	6	6	130	EPDM	H	30	38			2W-40CF-NK-E-AC220	6.7			
	40	29	0	6	6	120	VITON	H	30	38			2W-40CF-NK-V-AC220	6.7			
2W-50CF-NK (Cast iron)	50	48	0	6	6	80	NBR	H	30	38	9	8	2W-50CF-NK-AC220	8.0			
	50	48	0	6	6	130	EPDM	H	30	38			2W-50CF-NK-E-AC220	8.0			
	50	48	0	6	6	120	VITON	H	30	38			2W-50CF-NK-V-AC220	8.0			

Note: ES coil can be EPDM, VITON sealed, but fluid temperature ≤ 80°C

DFD series 2-way pilot operated (NC) solenoid valve 3/8 " ~ 3 "

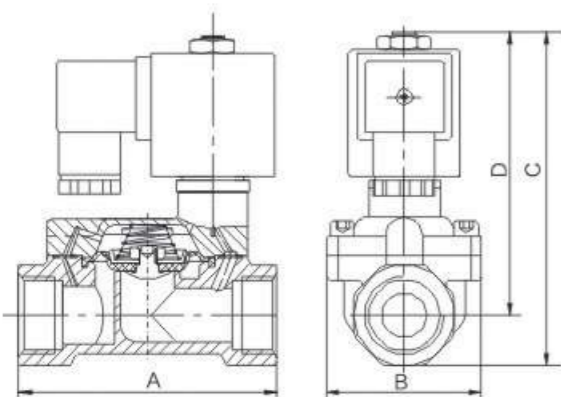
Working medium: water, liquid, air, light oil (viscosity ≤ 20cst)
Medium temperature: -10~80°C (NBR sealing)
Working pressure: 0.3~12bar (details see specification table)
Working type: pilot operated (NC)
Valvebody material: Brass, SS304
Sealing material: NBR(-10~80°C)
Interface: G thread, NPT, thread
Working voltage: AC220~240V, AC110V, 50/60Hz, 24VA
 DC24V, DC12V, 20W, IP65, H degree
Options: Rc thread
 Sealing material: EPDM (-20~130°C) or VITON (-15~120°C)
 Digital timer, LED light connector
 ES low temp coil (AC220V 4VA, DC24V 4W)
 Ex: encapsulated Ex-proof coil
Note: Select ES, Ex coil fluid temperature ≤ 80°C



Order code

DFD	Thread	J	ES	S	T	V	Voltage
Model	10:3/8" 15:1/2" 20:3/4" 25:1" 32:1 1/4" 40:1 1/2" 50:2" 80:3"	Blank:Brass J:SS304	Blank:Plastic coil ES:Low temp coil Ex:Encapsulated Ex-proof coil	Blank:No manual switch S:With manual switch	Blank:G thread T:NPT thread	Blank:NBR E:EPDM V:VITON	AC220V AC110V AC24V DC24V DC12V

DFD series (NC) solenoid valve drawing



Model	A	B	C	D	Weight(Kg)	
					Brass	SS304
DFD-15	80	45	105	91	0.7	0.65
DFD-20	87	52	115	98	0.9	0.8
DFD-25	107	67	125	104	1.3	1.2
DFD-32	130	84	133	108	1.9	1.7
DFD-40	145	95	151	122	2.5	2.3
DFD-50	177	128	166	131	4.3	4.0
DFD-80	250	195	215	165	11.5	

DFD series 2-way pilot operated (NC) solenoid valve



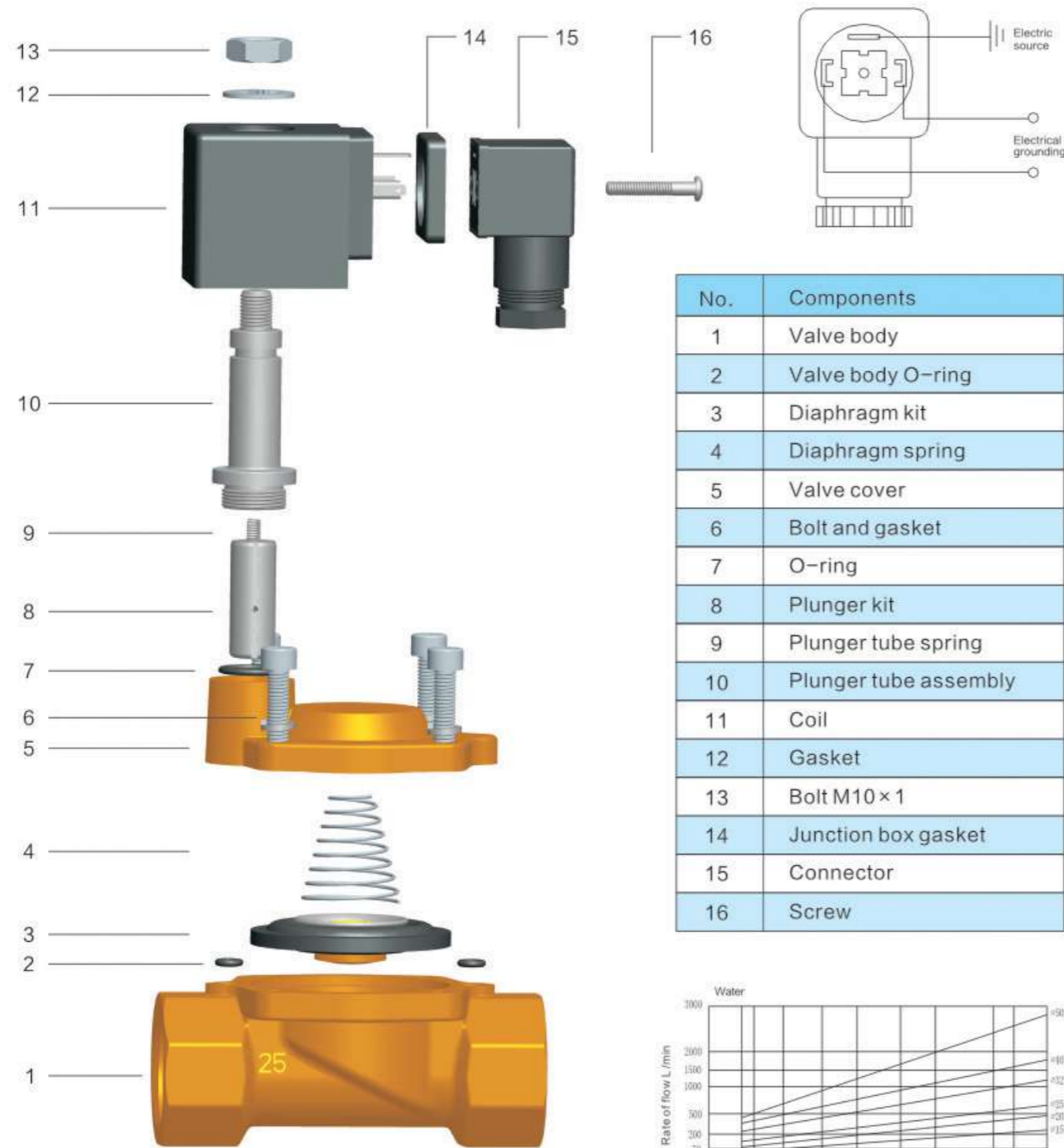
DFD series 2-way pilot operated (NC) specification table

Interface size	Orifice size (mm)	Cv	Working pressure (bar)				Max medium temp (°C)	Sealing material	Coil insulation degree	Coil power				Normal order code	
			Min pressure	Max pressure		AC 220 V				DC 24 V	AC 220 V	DC 24 V	Plastic coil		
				air, gas	water, hot water, liquid light oil								Voltage AC220V		
													VA	W	G thread
								Sealing material: Blank:NBR E:EPDM V:VITON							
										Brass		SS304			
1/2"	13	4.5	0.3	12	12	80	NBR	H	24	20	4	4	DFD-15-AC220V	DFD-15J-AC220V	
	13	4.5	0.3	12	12	130	EPDM	H	24	20			DFD-15-E-AC220V	DFD-15J-E-AC220V	
	13	4.5	0.3	12	12	120	VITON	H	24	20			DFD-15-V-AC220V	DFD-15J-V-AC220V	
3/4"	18	7.2	0.3	12	12	80	NBR	H	24	20	4	4	DFD-20-AC220V	DFD-20J-AC220V	
	18	7.2	0.3	12	12	130	EPDM	H	24	20			DFD-20-E-AC220V	DFD-20J-E-AC220V	
	18	7.2	0.3	12	12	120	VITON	H	24	20			DFD-20-V-AC220V	DFD-20J-V-AC220V	
1"	23	12	0.3	12	12	80	NBR	H	24	20	4	4	DFD-25-AC220V	DFD-25J-AC220V	
	23	12	0.3	12	12	130	EPDM	H	24	20			DFD-25-E-AC220V	DFD-25J-E-AC220V	
	23	12	0.3	12	12	120	VITON	H	24	20			DFD-25-V-AC220V	DFD-25J-V-AC220V	
1 1/4"	32	24	0.3	12	8	80	NBR	H	24	20	4	4	DFD-32-AC220V	DFD-32J-AC220V	
	32	24	0.3	12	8	130	EPDM	H	24	20			DFD-32-E-AC220V	DFD-32J-E-AC220V	
	32	24	0.3	12	8	120	VITON	H	24	20			DFD-32-V-AC220V	DFD-32J-V-AC220V	
1 1/2"	40	30	0.3	12	8	80	NBR	H	24	20	4	4	DFD-40-AC220V	DFD-40J-AC220V	
	40	30	0.3	12	8	130	EPDM	H	24	20			DFD-40-E-AC220V	DFD-40J-E-AC220V	
	40	30	0.3	12	8	120	VITON	H	24	20			DFD-40-V-AC220V	DFD-40J-V-AC220V	
2"	50	48	0.3	12	8	80	NBR	H	24	20	4	4	DFD-50-AC220V	DFD-50J-AC220V	
	50	48	0.3	12	8	130	EPDM	H	24	20			DFD-50-E-AC220V	DFD-50J-E-AC220V	
	50	48	0.3	12	8	120	VITON	H	24	20			DFD-50-V-AC220V	DFD-50J-V-AC220V	
3"	80	82	0.3	10	8	80	NBR	H	24	20	4	4	DFD-80-AC220V		
	80	82	0.3	10	8	130	EPDM	H	24	20			DFD-80-E-AC220V		
	80	82	0.3	10	8	120	VITON	H	24	20			DFD-80-V-AC220V		

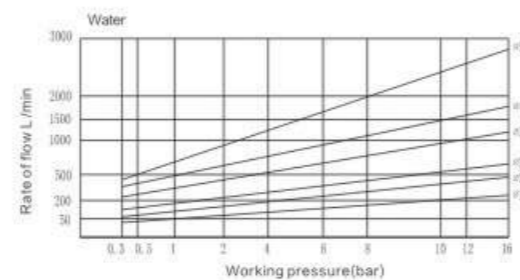
Note: ES coil can be EPDM, VITON sealed, but fluid temperature ≤ 80°C

DFD series 2-way pilot operated (NC) solenoid valve

Components table



No.	Components
1	Valve body
2	Valve body O-ring
3	Diaphragm kit
4	Diaphragm spring
5	Valve cover
6	Bolt and gasket
7	O-ring
8	Plunger kit
9	Plunger tube spring
10	Plunger tube assembly
11	Coil
12	Gasket
13	Bolt M10 x 1
14	Junction box gasket
15	Connector
16	Screw



DFD series flange 2-way pilot operated (NC) solenoid valve DN25~200mm

Working medium: water, liquid, air, light oil (viscosity ≤ 20 cst)
Medium temperature: -10~80°C (NBR sealing)
Working pressure: 0.3~12bar (details see specification table)
Working type: pilot operated (NC)
Valve body material: SS304, cast iron
Sealing material: NBR (-10~80°C)
Interface: flange
Working voltage: AC220~240V, AC110V, 50/60Hz, IP65, H degree
 DN25~100mm: 24VA, DN125~200mm: 40VA
 DC24V/12V: DN25~100mm: 20W, DN125~200mm: 32W

Options:
 Sealing material: EPDM (-20~130°C) or VITON (-15~120°C)
 Digital timer, LED light connector
 ES low temp coil DN<125mm: AC220V 4VA, DC24V 4W
 DN \geq 125mm: AC220V 8VA, DC24V 7W
 Ex: encapsulated Ex-proof coil, wire lead plastic coil
Note: Select ES, Ex coil fluid temperature $\leq 80^\circ\text{C}$



DFD-100JF

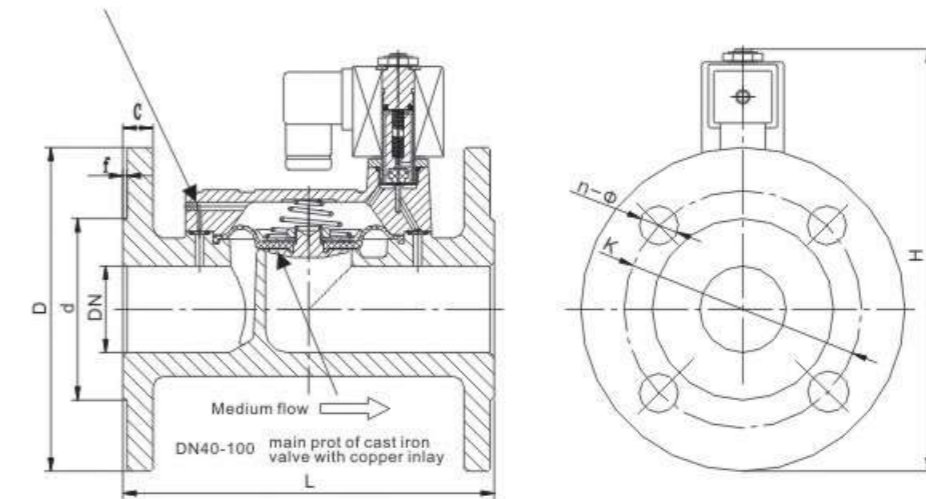


DFD-200CF

Order code

DFD	Orifice	J	F	ES	V	Voltage
Model	25:25 mm 32:32 mm 40:40mm 50:50mm 65:65mm 80:80mm 100:100mm	J:SS304 C:cast iron	F:flange	Blank:plastic coil ES:low temp coil Ex:Encapsulated Ex-proof coil	Blank: NBR E: EPDM V: VITON	AC220V AC110V AC24V DC24V DC12V

Install stainless steel filter in the inlet of cast iron valve above DN65



DFD-series flange 2-way pilot operated (NC) solenoid valve drawing

DFD series flange 2-way pilot operated (NC) solenoid valve

DFD series SS304 and cast iron flange(NC) solenoid valve specification table

Model	Orifice size (mm)	Cv	Working pressure (bar)		Max medium temperature	Coil insulation degree	Coil power				Normal order code	
			Min pressure	Max pressure			Normal coil		ES coil			
							VA	W	VA	W		
							AC 220 V	DC 24 V	AC 220 V	DC 24 V		
DFD-25JF	25	12	0.3	12	12	80	H	24	20	4	4	DFD-25JF-AC220V
DFD-32JF	32	24	0.3	12	12	80	H	24	20	4	4	DFD-32JF-AC220V
DFD-40JF	40	30	0.3	12	12	80	H	24	20	4	4	DFD-40JF-AC220V
DFD-50JF	50	48	0.3	12	12	80	H	24	20	4	4	DFD-50JF-AC220V
DFD-65JF	65	52	0.3	10	8	80	H	24	20	4	4	DFD-65JF-AC220V
DFD-80JF	80	82	0.3	10	8	80	H	24	20	4	4	DFD-80JF-AC220V
DFD-100JF	100	128	0.3	10	8	80	H	24	20	4	4	DFD-100JF-AC220V
DFD-150JF	150	292	0.3	8	8	80	H	40	32	8	7	DFD-150JF-AC220V
DFD-40CF	40	30	0.3	10	10	80	H	24	20	4	4	DFD-40CF-AC220V
DFD-50CF	50	48	0.3	10	10	80	H	24	20	4	4	DFD-50CF-AC220V
DFD-65CF	65	52	0.3	10	8	80	H	24	20	4	4	DFD-65CF-AC220V
DFD-80CF	80	82	0.3	10	8	80	H	24	20	4	4	DFD-80CF-AC220V
DFD-100CF	100	128	0.3	10	8	80	H	24	20	4	4	DFD-100CF-AC220V
DFD-125CF	125	222	0.3	8	8	80	H	40	32	8	7	DFD-125CF-AC220V
DFD-150CF	150	292	0.3	8	8	80	H	40	32	8	7	DFD-150CF-AC220V
DFD-200CF	200	513	0.3	8	8	80	H	40	32	8	7	DFD-200CF-AC220V

DFD series flange(NC) solenoid valve dimensions table (PN=1.6MPa GB/T9113.1-2000)

Model	L	D	H	K	d	C	f	n-Φ	Valvebody material	Weight (Kg)
DFD-25JF	141	115	165	85	65	16	3	4-Φ14	SS304	2.9
DFD-32JF	158	145	185	100	76	18	3	4-Φ18		4.4
DFD-40JF	173	150	196	110	84	18	3	4-Φ18		5.1
DFD-50JF	204	165	200	125	99	20	3	4-Φ18		7.7
DFD-65JF	256	185	248	145	118	20	3	4-Φ18		12.5
DFD-80JF	277	200	268	160	132	20	3	8-Φ18		15.3
DFD-100JF	350	220	290	180	156	22	3	8-Φ18		23.2
DFD-150JF	450	285	402	240	211	24	3	8-Φ22	62	
DFD-40CF	170	150	196	110	84	18	3	4-Φ18	cast iron	6.0
DFD-50CF	200	165	200	125	99	20	3	4-Φ18		9.2
DFD-65CF	259	185	277	145	118	20	3	4-Φ18		15.1
DFD-80CF	278	200	289	160	132	20	3	8-Φ18		17
DFD-100CF	350	220	316	180	156	22	3	8-Φ18		23.2
DFD-125CF	425	250	398	210	186	22	3	8-Φ18		54.7
DFD-150CF	450	285	430	240	211	24	3	8-Φ22		55.2
DFD-200CF	560	340	516	295	266	24	3	12-Φ22		112

DFD series 2-way pilot operated (NO) solenoid valve 3/8 " ~ 3 "

Working medium: water, liquid, air, light oil (viscosity ≤ 20cst)

Medium temperature: -10~80°C (NBR sealing)

Working pressure: 0.3~8bar (details see specification table)

Working type: pilot operated (NO)

Valvebody material: Brass, SS304

Sealing material: NBR (-10~80°C)

Interface: G thread NPT thread

Working voltage: AC220~240V, AC110V, 50/60Hz, 24VA
DC24V, DC12V, 20W, IP65, H degree

Options:

Rc thread

Sealing material: EPDM (-20~130°C) or VITON (-15~120°C)

digital timer, LED light connector

ES low temp coil (AC220V 8VA, DC24V 6W)

Ex: encapsulated Ex-proof coil

Valvebody material: SS316

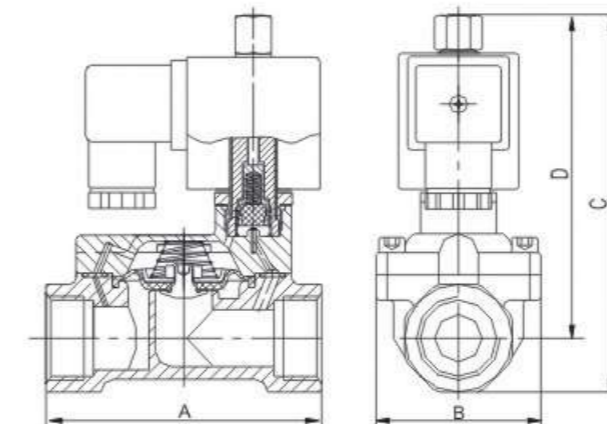


DFD-20K

DFD-25JKES

Order code

DFD	Thread	J	K	ES	T	V	Voltage
Model	10:3/8" 15:1/2" 20:3/4" 25:1" 32:1/4" 40:1/2" 50:2" 80:3"	Blank:Brass J:SS304	K:NO	Blank:Plastic coil ES:Low temp coil Ex:Encapsulated Ex-proof coil	Blank:G thread T:NPT thread	Blank:NBR E:EPDM V:VITON	AC220V AC110V AC24V DC24V DC12V



DFD series (NO) solenoid valve drawing

Model	A	B	C	D	Weight (Kg)	
					Brass	SS304
DFD-15K	80	45	108	94	0.7	0.7
DFD-20K	87	52	118	101	0.9	0.8
DFD-25K	107	67	128	107	1.3	1.1
DFD-32K	130	84	135	110	1.9	1.7
DFD-40K	145	95	153	124	2.5	2.3
DFD-50K	177	128	168	133	4.3	4.0
DFD-80K	250	195	225	175	11.5	

DFD series 2-way pilot operated (NO) solenoid valve

DFD series 2-way pilot operated (NO) solenoid valve specification table

Interface size	Orifice size (mm)	Cv	Working pressure (bar)		Max medium temp (°C)	Sealing material	Coil insulation degree	Coil power				Normal order code			
			Min pressure	Max pressure				Normal coil		ES coil		Plastic coil Voltage AC220V G thread Sealing material: Blank: NBR E: EPDM V: VITON	Brass	SS304	
								air, gas water hotwater liquid light oil	VA	W	VA				W
									AC	DC	AC				DC
1/2"	13	4.5	0.3	8	6	80	NBR	H	24	20	8	6	DFD-15K-AC220V	DFD-15JK-AC220V	
	13	4.5	0.3	8	6	130	EPDM	H	24	20			DFD-15K-E-AC220V	DFD-15JK-E-AC220V	
	13	4.5	0.3	8	6	120	VITON	H	24	20			DFD-15K-V-AC220V	DFD-15JK-V-AC220V	
3/4"	18	7.2	0.3	8	6	80	NBR	H	24	20	8	6	DFD-20K-AC220V	DFD-20JK-AC220V	
	18	7.2	0.3	8	6	130	EPDM	H	24	20			DFD-20K-E-AC220V	DFD-20JK-E-AC220V	
	18	7.2	0.3	8	6	120	VITON	H	24	20			DFD-20K-V-AC220V	DFD-20JK-V-AC220V	
1"	23	12	0.3	8	6	80	NBR	H	24	20	8	6	DFD-25K-AC220V	DFD-25JK-AC220V	
	23	12	0.3	8	6	130	EPDM	H	24	20			DFD-25K-E-AC220V	DFD-25JK-E-AC220V	
	23	12	0.3	8	6	120	VITON	H	24	20			DFD-25K-V-AC220V	DFD-25JK-V-AC220V	
1 1/4"	32	24	0.3	8	6	80	NBR	H	24	20	8	6	DFD-32K-AC220V	DFD-32JK-AC220V	
	32	24	0.3	8	6	130	EPDM	H	24	20			DFD-32K-E-AC220V	DFD-32JK-E-AC220V	
	32	24	0.3	8	6	120	VITON	H	24	20			DFD-32K-V-AC220V	DFD-32JK-V-AC220V	
1 1/2"	40	30	0.3	8	6	80	NBR	H	24	20	8	6	DFD-40K-AC220V	DFD-40JK-AC220V	
	40	30	0.3	8	6	130	EPDM	H	24	20			DFD-40K-E-AC220V	DFD-40JK-E-AC220V	
	40	30	0.3	8	6	120	VITON	H	24	20			DFD-40K-V-AC220V	DFD-40JK-V-AC220V	
2"	50	48	0.3	8	6	80	NBR	H	24	20	8	6	DFD-50K-AC220V	DFD-50JK-AC220V	
	50	48	0.3	8	6	130	EPDM	H	24	20			DFD-50K-E-AC220V	DFD-50JK-E-AC220V	
	50	48	0.3	8	6	120	VITON	H	24	20			DFD-50K-V-AC220V	DFD-50JK-V-AC220V	
3"	80	82	0.3	8	6	80	NBR	H	24	20	8	6	DFD-80K-AC220V		
	80	82	0.3	8	6	130	EPDM	H	24	20			DFD-80K-E-AC220V		
	80	82	0.3	8	6	120	VITON	H	24	20			DFD-80K-V-AC220V		

Note: ES, Ex coil can be EPDM, VITON sealed, but fluid temperature ≤ 80°C

DFD series flange 2-way pilot operated (NO) solenoid valve DN25~200mm

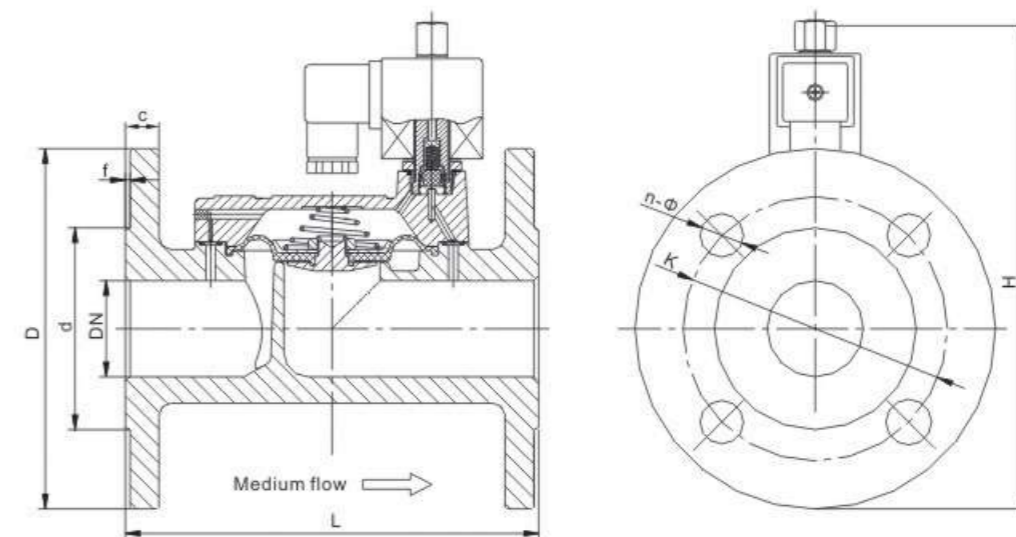
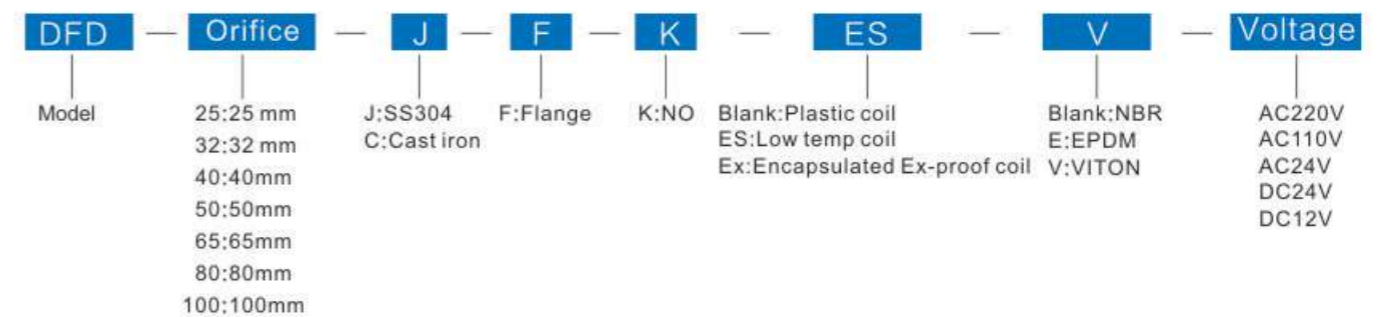
Working medium: water, liquid, air, light oil (viscosity ≤ 20cst)
Medium temperature: -10~80°C (NBR sealing)
Working pressure: 0.3~8bar (details see specification table)
Working type: pilot operated (NO)
Valvebody material: SS304 cast iron
Sealing material: NBR (-10~80°C)
Connection type: flange connection
Working voltage: AC220~240V, AC110V, 50/60Hz;
 DN ≤ 100mm 24VA, DN ≥ 125mm 40VA
 DC24/12V DN ≤ 100mm 20W, DN ≥ 125mm 32W, IP65, H degree



DFD-25JFK

Options:
 Sealing material: EPDM (-20~130°C) or VITON (-15~120°C)
 Digital timer, LED light connector
 ES low temp coil, DN25~100, AC220V 8VA, DC24V 6W, DN125~200, AC220V 8VA, DC24V 7W
 Ex: encapsulated Ex-proof coil
Note: Select ES, Ex coil fluid temperature ≤ 80°C

Order code



DFD-series flange connection(NO) solenoid valve drawing

DFD series flange 2-way pilot operated (NO) solenoid valve

DFD series SS304 and cast iron flange connection (NO) solenoid valve specification table

Model	Orifice size (mm)	Cv	Working pressure (bar)		Max medium temp (°C)	Coil insulation degree	Coil power				Normal order code	
			Min pressure	Max pressure			Normal coil		ES coil			
							VA	W	VA	W		
							AC 220V	DC 24V	AC 220V	DC 24V		
DFD-25JFK	25	12	0.3	8	8	80	H	24	20	8	6	DFD-25JFK-AC220V
DFD-32JFK	32	24	0.3	8	6	80	H	24	20	8	6	DFD-32JFK-AC220V
DFD-40JFK	40	30	0.3	8	6	80	H	24	20	8	6	DFD-40JFK-AC220V
DFD-50JFK	50	48	0.3	8	6	80	H	24	20	8	6	DFD-50JFK-AC220V
DFD-65JFK	65	52	0.3	8	6	80	H	24	20	8	6	DFD-65JFK-AC220V
DFD-80JFK	80	82	0.3	8	6	80	H	24	20	8	6	DFD-80JFK-AC220V
DFD-100JFK	100	128	0.3	8	6	80	H	24	20	8	6	DFD-100JFK-AC220V
DFD-150JFK	150	292	0.3	8	6	80	H	40	32	8	7	DFD-150JFK-AC220V
DFD-40CFK	40	30	0.3	8	6	80	H	24	20	8	6	DFD-40CFK-AC220V
DFD-50CFK	50	48	0.3	8	6	80	H	24	20	8	6	DFD-50CFK-AC220V
DFD-65CFK	65	52	0.3	8	6	80	H	24	20	8	6	DFD-65CFK-AC220V
DFD-80CFK	80	82	0.3	8	6	80	H	24	20	8	6	DFD-80CFK-AC220V
DFD-100CFK	100	128	0.3	8	6	80	H	24	20	8	6	DFD-100CFK-AC220V
DFD-125CFK	125	222	0.3	8	6	80	H	40	32	8	7	DFD-125CFK-AC220V
DFD-150CFK	150	292	0.3	8	6	80	H	40	32	8	7	DFD-150CFK-AC220V
DFD-200CFK	200	513	0.3	8	6	80	H	40	32	8	7	DFD-200CFK-AC220V

DFD series flange(NO) solenoid valve dimensions table (PN=1.6MPa GB/T9113.1-2000)

Model	L	D	H	K	d	C	f	n-Φ	Valvebody material	Weight (Kg)
DFD-25JFK	141	115	175	85	65	16	3	4-Φ14	SS304	2.9
DFD-32JFK	158	145	195	100	76	18	3	4-Φ18		4.4
DFD-40JFK	173	150	206	110	84	18	3	4-Φ18		5.1
DFD-50JFK	204	165	210	125	99	20	3	4-Φ18		7.7
DFD-65JFK	256	185	258	145	118	20	3	4-Φ18		12.5
DFD-80JFK	277	200	278	160	132	20	3	8-Φ18		15.3
DFD-100JFK	350	220	300	180	156	22	3	8-Φ18		23.2
DFD-150JFK	450	285	412	240	211	24	3	8-Φ22	62	
DFD-40CFK	170	150	206	110	84	18	3	4-Φ18	Cast iron	6
DFD-50CFK	200	165	210	125	99	20	3	4-Φ18		9.2
DFD-65CFK	259	185	287	145	118	20	3	4-Φ18		15.1
DFD-80CFK	278	200	299	160	132	20	3	8-Φ18		17
DFD-100CFK	350	220	326	180	156	22	3	8-Φ18		23.2
DFD-125CFK	425	250	408	210	186	22	3	8-Φ18		54.7
DFD-150CFK	450	285	440	240	211	24	3	8-Φ22		55.2
DFD-200CFK	560	340	526	295	266	24	3	12-Φ22	112	

DG series big size backflush(anti water hammer)NC solenoid valve DN50~200mm

Working medium: water, liquid, air, light oil (≤20CST)

Medium temperature: -10~80°C (NBR sealing)

Working pressure: 0.3~16bar (all series)

Working type: pilot operated (NC)

Valvebody material: ductile iron QT450

Sealing material: NBR (-10~80°C)

Interface: flange

Working voltage: AC220V 50/60Hz 24VA, DC24V 20W, IP65, H degree

Options:

Sealing material: EPDM (-20~130°C), VITON (-15~120°C)

ES low temperature coil (power AC220V 8VA, DC24V 6W)

Ex encapsulated Ex-proof coil (power AC220V 5VA, DC24V 4W)



DG-50



DG-80

Order code

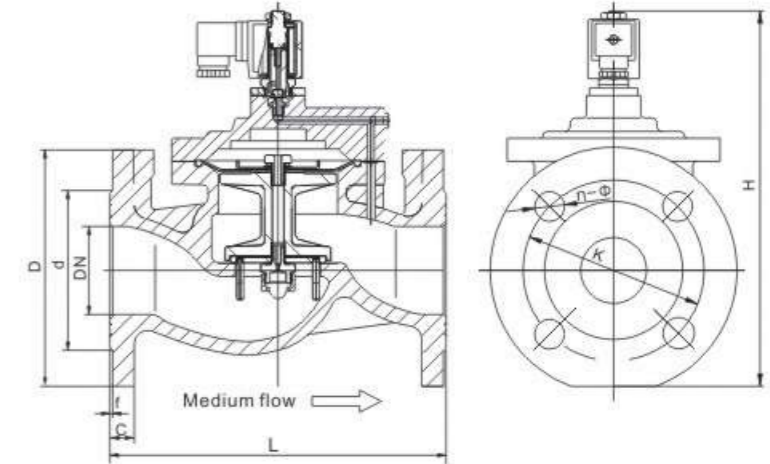
If order DG model, DN50mm, normal coil, NBR seal, DC24V, order code DG-50-DC24V

If order DG model, DN80mm, ES coil, NBR seal, AC220V, order code DG-80ES-AC220V

DG — **Orifice** — **ES** — **V** — **Voltage**

Model	Orifice	ES	V	Voltage
50:50mm	Blank:Plastic coil	Blank:NBR	Blank:NBR	AC220V
65:65mm	ES:Low temperature coil	E:EPDM	E:EPDM	AC110V
80:80mm	Ex:Encapsulated Ex-proof coil	V:VITON	V:VITON	AC24V
100:100mm				
125:125mm				
150:150mm				
200:200mm				

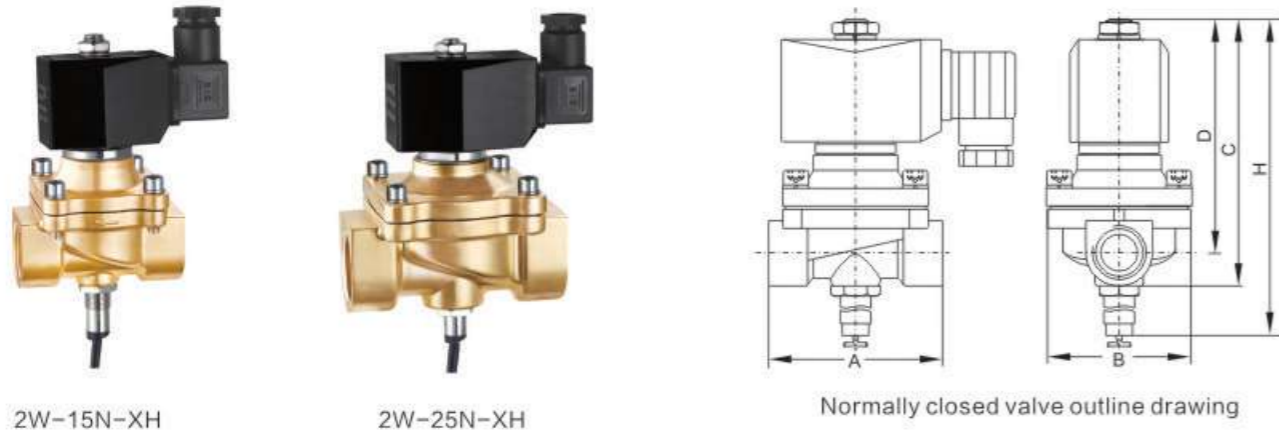
DG series(NC)solenoid valve drawing



DG series solenoid valve Flange dimensions (PN=1.6MPa GB/T9113.1-2000)

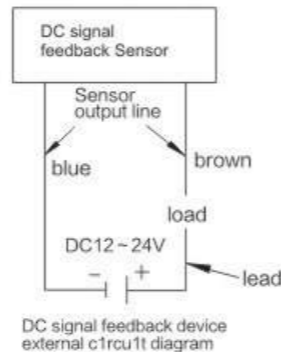
Model	L	D	H	K	d	C	f	n-Φ	Valve material
DG-50	240	160	256	125	99	20	2	4-Φ18	ductile iron QT450
DG-65	248	178	277	145	118	20	2	4-Φ18	
DG-80	295	193	300	160	132	20	3	8-Φ18	
DG-100	328	215	328	180	156	22	3	8-Φ18	
DG-125	425	250	398	210	186	22	3	8-Φ18	
DG-150	400	285	405	240	211	24	3	8-Φ22	
DG-200	560	340	516	295	266	24	3	12-Φ22	

2W-XH series signal feedback solenoid valve



Working medium: Liquid, gas
Work pressure: 0~7bar
Body material: Brass, SS304
Interface thread: G thread, NPT thread
Working voltage: AC220~240V, AC110V 50/60Hz; 20VA, DC24V 20W。 IP65, Hdegree。
Sensor working voltage: DC12~24V, Current consumption ≤15mA, Load current 200mA, Cable length 2M
Sensor output type: NC. The LED (red) lights up when the solenoid valve is open Protection class IP68
Optional: Sealing material: EPDM, VITON, VMQ, ES Low temperature coil

Fluid temperature: -10~70℃
Ambient temperature: -10~55℃
Working type: Semi direct acting, pilot operated
Sealing material: (NBR)



Order code

2W	Thread	J	N	K	T	E	XH	Voltage
2W series	15:1/2" 20:3/4" 25:1" 32:1 1/4" 40:1 1/2" 50:2"	Blank:Brass J:SS	Blank:Iron coil N:Plastic coil ES:Low temp coil Ex:Encapsulated Ex-proof coil	Blank:NC K:NO	Blank:G thread T:NPT thread	Blank:NBR E:EPDM V:VITON	Feedback Identifier	AC220V AC110V DC24V

DF65 ~ 100mm with DFD series

Signal feedback solenoid valve specification parameter table

Model	Orifice (mm)	Interface	Cv	Working pressure (bar)			Dimension (mm)
				NC type		NO type	NC type A×B×C×D×H
				AC220V	DC24V	AC220V/DC24V	
2W-15N-XH	16	1/2"	4.8	0~7	0~6	0~6	68×56×105×91×140
2W-20N-XH	20	3/4"	7.6	0~7	0~6	0~6	73×56×111×95×140
2W-25N-XH	25	1"	12	0~7	0~6	0~6	100×74×124×103×140
2W-32N-XH	32	1 1/4"	24	0~7	0~6	0~6	110×85×154×129×165
2W-40N-XH	40	1 1/2"	29	0~7	0~6	0~6	120×90×162×134×180
2W-50N-XH	50	2"	48	0~7	0~6	0~6	154×115×185×151×200
DFD-65CF-XH	65	Flange Cast iron	52	0.3~7	0~6	0~6	259×185×277×185×265
DFD-80CF-XH	80		82	0.3~7	0~6	0~6	278×200×289×189×275
DFD-100CF-XH	100		128	0.3~7	0~6	0~6	350×220×316×206×285

ZW series 2-way semi direct acting solenoid valve 3/8" ~ 2"



Working medium: water, liquid, gas, light oil (viscosity ≤ 20cst)
Working pressure: 0~10bar (see specification table for details)
Body material: forged brass, stainless steel SS304
Interface thread: G thread, NPT thread
Operating Voltage: AC220V/AC110V 50/60Hz, DC24/12V
 DN10~20: AC220V 20VA, DC24V 20W, DN25: AC220V 40VA, DC24V 32W,
 DN32~50: AC220V 30VA, DC24V 38W, Plastic coil terminal, IP65, Hdegree
Optional: sealing material: EPDM(-20~130℃), VITON(-15~120℃), Rc thread, LED light connector
 ES low temp coil, Ex: encapsulated Ex-proof coil, ES/Ex coil solenoid valve fluid temperature -10~80℃

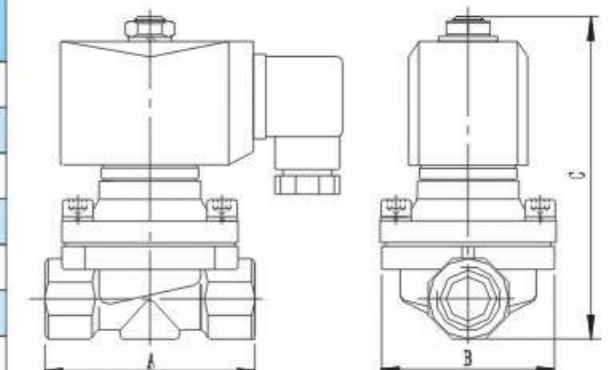
Fluid temperature: -10~80℃(NBR)
Working type: semi-direct acting
Sealing material: NBR(-10~80℃)

Order code

ZW	Thread	J	N	K	T	V	Voltage
Model	10:3/8" 15:1/2" 20:3/4" 25:1" 32:1 1/4" 40:1 1/2" 50:2"	Blank:Brass J:SS304	Blank:Iron coil N:Plastic coil L:Wire lead plastic coil ES:Low temp coil Ex:Encapsulated Ex-proof coil	Blank:NC K:NO	Blank:G thread T:NPT thread	Blank:NBR V:VITON E:EPDM Q:VMQ	AC220V AC110V DC24V DC12V

ZW series solenoid valve specification table and (NC) drawing

Model	Orifice (mm)	Interface	Cv	Work pressure(bar)			NC dimensions A×B×C (mm)
				NC		NO	
				AC220V	DC24V	AC/DC	
ZW-10N	15	3/8"	3.5	0~10	0~6	0~6	60×45×101
ZW-15N	15	1/2"	3.5	0~10	0~6	0~6	60×45×101
ZW-20N	20	3/4"	7.6	0~10	0~6	0~6	67×50×107
ZW-25N	25	1"	12	0~10	0~6	0~6	82×66×115
ZW-32N	32	1 1/4"	24	0~10	0~6	0~6	102×82×147
ZW-40N	40	1 1/2"	29	0~10	0~6	0~6	110×85×153
ZW-50N	50	2"	48	0~10	0~6	0~6	134×108×166



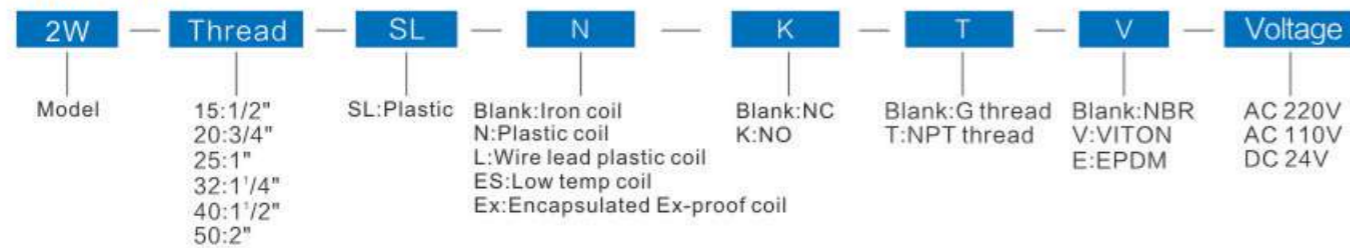
2W-SL series 2-way zero differential pressure plastic solenoid valve 1/2" ~ 2"



Working medium: water, liquid, gas
Working pressure: 0~7bar
Body material: PA66 (made in Germany)
Interface thread: G thread, NPT thread
Operating Voltage: AC220V/110V50/60Hz, DC24/12V, IP65 H degree
 DN15~20: AC220V20VA, DC24V20W
 DN25: AC220V40VA, DC24V32W.
 DN32~50: AC220V 30VA, DC24V 38W
Optional: LED light connector, wire lead plastic coil, ES /Ex coil (requires fluid temperature -10~ 80°C).

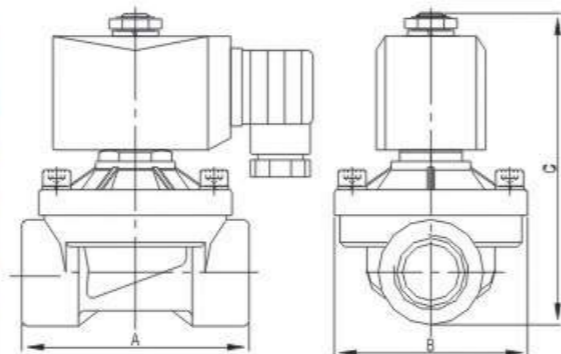
Fluid temperature: -10~+80°C
Working type: semi-direct acting (NC, NO)
Sealing material: NBR (fluid temperature -10~ 80°C)

Order code



2W-SL series (NC) plastic valve specification table

Model	Orifice (mm)	Interface	Cv	Work pressure(bar)			NC dimensions A×B×C (mm)
				NC		NO	
				AC220V	DC24V	AC/DC	
2W-15SLN	15	1/2"	4.8	0~7	0~6	0~6	76×68×107
2W-20SLN	20	3/4"	7.6	0~7	0~6	0~6	80×68×111
2W-25SLN	25	1"	12	0~7	0~6	0~6	107×82×117
2W-32SLN	32	1 1/4"	22	0~6	0~5	0~4	140×112×160
2W-40SLN	40	1 1/2"	30	0~6	0~5	0~4	140×112×170
2W-50SLN	50	2"	48	0~6	0~5	0~4	159×130×190



2W-SL Series (NC) solenoid valve outline drawing

2W-SL series 2-way zero differential pressure, loose joint and flange plastic solenoid valve DN15~DN50 mm

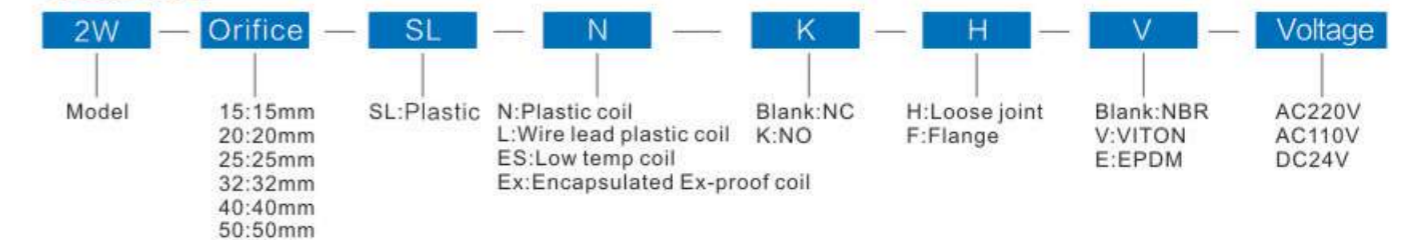
The connecting material of the solenoid valve is PVC, The on-site PVC pipe can be directly coated with PVC special adhesive for use.



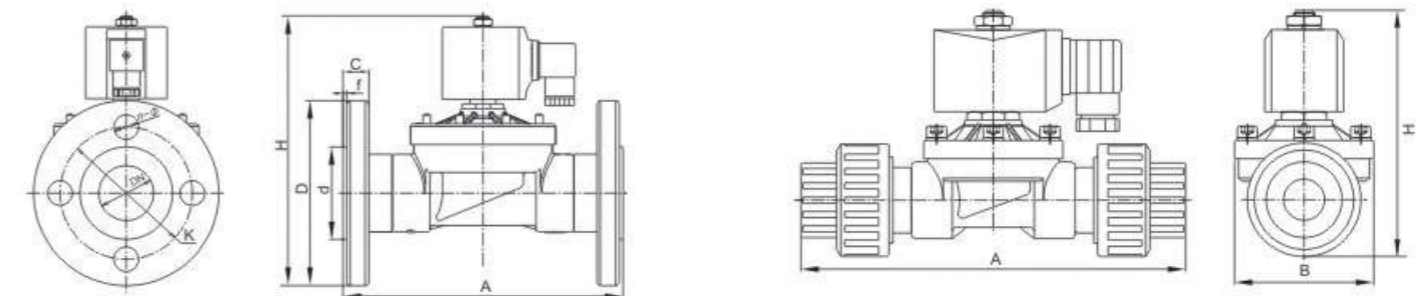
Working medium: water, liquid, gas
Working pressure: NC 0~6 bar
 NO: DN15~25: 0~6 bar
 DN32~50: 0~4 bar
Interface thread: G thread, NPT thread
Working Voltage: AC220V/110V50/60Hz; DC24/12V, IP65 H degree, Other voltages can be customized
 DN15~20: AC220V20VA, DC24V20W, DN25, AC220V40VA, DC24V32W
 DN32~50: AC220V 30VA, DC24V 38W
Optional: LED light connector, wire lead plastic coil, ES low temp coil, Encapsulated Ex-proof coil

Fluid temperature: -10~+ 80°C
Working type: semi-direct acting (NC, NO)
Sealing material: NBR (fluid temperature -10~80°C)
Body material: PA66, union or flange: UPVC

Order code



The solenoid valve connecting material is PVC, and when the pipe is PVC pipe, The site can be directly coated with PVC special adhesive for use, which is extremely convenient.



2W-15~50SLF drawing

2W-15~50SLH drawing

2W-15~50SLF specification (mm)

Model	Orifice	A	H	PN=1.6MPa flange size (GB/T9113.1-2000)					
				D	K	d	C	f	n-φ
2W-15SLF	15	126	139	95	65	46	14	2	4-φ14
2W-20SLF	20	136	145	105	75	56	16	2	4-φ14
2W-25SLF	25	170	153	115	85	65	16	2	4-φ14
2W-32SLF	32	208	203	140	100	76	18	2	4-φ18
2W-40SLF	40	217	215	150	110	84	18	2	4-φ18
2W-50SLF	50	248	235	165	125	99	20	3	4-φ18

2W-15~50SLH specification (mm)

Model	Orifice	A	B	C
2W-15SLH	15	171	68	114
2W-20SLH	20	189	68	120
2W-25SLH	25	230	82	128
2W-32SLH	32	264	112	169
2W-40SLH	40	283	112	182
2W-50SLH	50	324	130	205

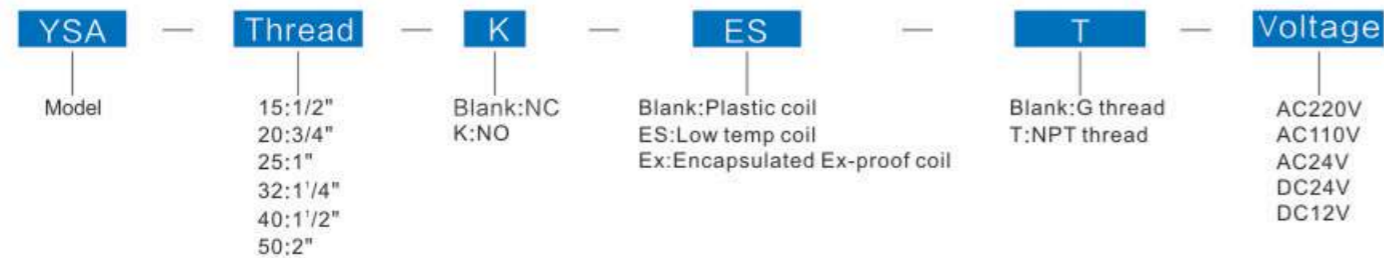
YSA series 2-way pilot operated plastic solenoid valve 1/2" ~ 2"

Can use ES low power energy saving coil, low temperature explosion-proof coil



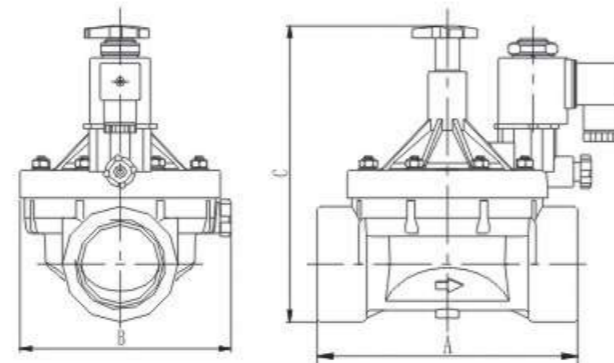
Working medium: water, liquid, gas
Working pressure: 0.3~8 bar (See the table below)
Body material: PA66
Operating Voltage: AC220V/110V 50/60Hz 22VA, DC24V/12V 13W, IP65, H degree
Interface thread: G thread, NPT thread
Optional: LED light connector, ES low temp coil, Ex:encapsulated Ex-proof coil
power: NC:AC220V3VA, DC24V3W, NO:AC220V6VA, DC24V4W
Note: 1. The whole series has independent inlet water filter, which can effectively ensure that the medium entering the upper chamber of the valve is clean. Clean and maintain is simple and convenient.
 2. The full range of normally closed type with manual switch device can rotate the manual switch counterclockwise to open the valve when there is no electricity. The normally open manual switch is locked.
 3. DN32~50mm products also have flow adjustment devices, which can adjust the flow rate according to requirements.

Order code



YSA series solenoid valve specification parameter table and (NC) drawing

Model	Orifice (mm)	Interface	Cv	Work pressure (bar)		NC dimensions A×B×C (mm)
				NC	NO	
YSA-15	15	1/2"	3.5	0.3~8	0.3~6	85×73×126
YSA-20	20	3/4"	7.6	0.3~8	0.3~6	90×73×128
YSA-25	25	1"	12	0.3~8	0.3~6	125×90×148
YSA-32	32	1 1/4"	20	0.3~8	0.3~6	150×128×173
YSA-40	40	1 1/2"	30	0.3~8	0.3~6	152×128×176
YSA-50	50	2"	48	0.3~8	0.3~6	170×140×190
YSA-80	80	3"	82	0.3~6	0.3~6	320×200×250



YSA series 2-way zero differential pressure, loose joint and flange plastic solenoid valve DN15~DN80mm

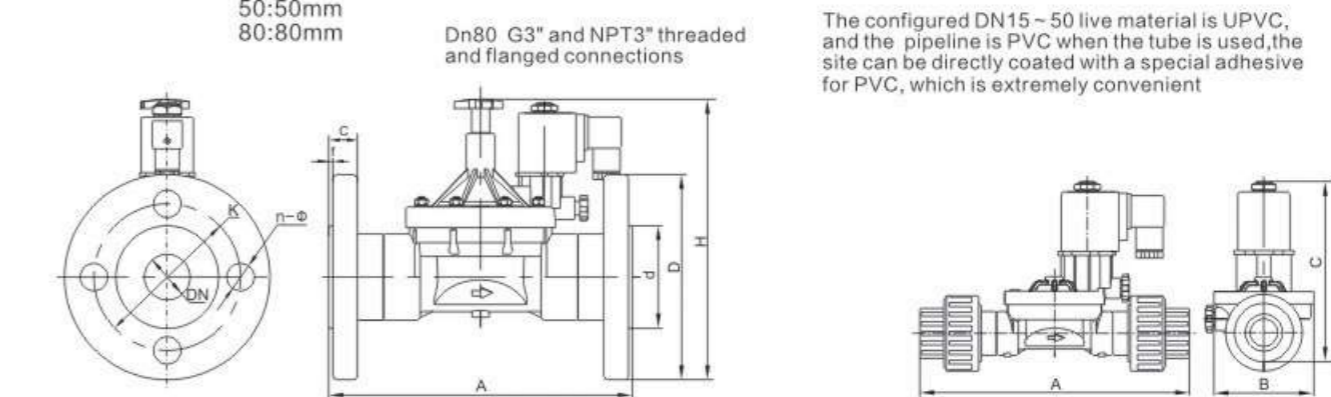
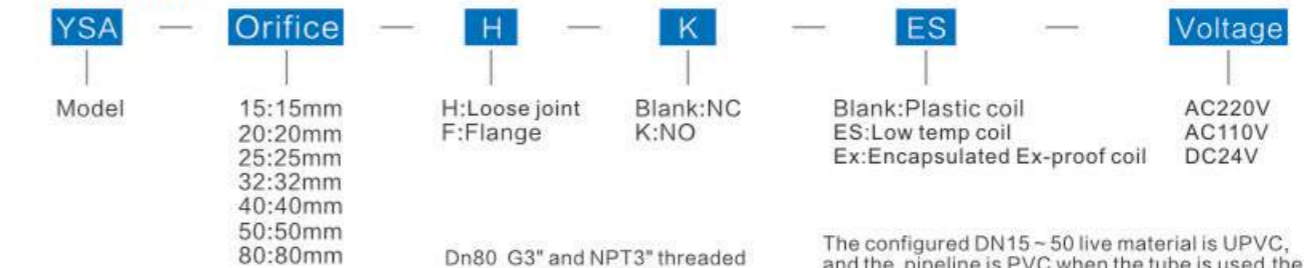
The solenoid valve is made of PVC, pipe can be directly coated with PVC adhesive.



Working medium: water, liquid, gas
Working type: pilot operated (NC/NO)
Connection method: loose joint, flange type
Working pressure: NC: DN15~50: 0.3~8 bar, DN80: 0.3~6 bar; NO: DN15~80: 0.3~6 bar
Body material: PA66, Union or flange: UPVC, DN80: PA66
Working Voltage: AC220~240V, AC110V 50/60Hz 22VA, DC24V/12V 13W, IP65, H degree, Other voltages can be customized
Optional: LED light connector, wire lead plastic coil, ES low temp coil, Ex:encapsulated Ex-proof coil

Fluid temperature: -10~+80 °C
Sealing material: NBR

Order code



YSA-F series (NC) solenoid valve outline drawing

YSA-H series (NC) solenoid valve outline drawing

YSA-F specification table (mm)

Model	Orifice	A	H	PN=1.6MPa flange size (GB/T9113.1-2000)					
				D	K	d	C	f	n-φ
YSA-15F	15	135	158	95	65	46	14	2	4-φ14
YSA-20F	20	146	162	105	75	56	16	2	4-φ14
YSA-25F	25	188	184	115	85	65	16	2	4-φ14
YSA-32F	32	218	216	140	100	76	18	2	4-φ18
YSA-40F	40	229	220	150	110	84	18	2	4-φ18
YSA-50F	50	259	235	165	125	99	20	3	4-φ18
YSA-80F	80	340	274	200	160	132	20	3	4-φ18

YSA-H specification table (mm)

Model	Orifice	A	B	C
YSA-15H	15	180	73	133
YSA-20H	20	199	73	137
YSA-25H	25	248	90	159
YSA-32H	32	274	128	182
YSA-40H	40	295	128	186
YSA-50H	50	335	140	205
YSA-80H	80			

PS series 2-way piston steam solenoid valve(NC) 1/4" ~ 2"

Working medium: steam, high temperature liquid

Medium temperature: 0~180°C

Working pressure: 0.1~16bar (details see specification table)

Working type: pilot operated (NC/NO)

Valvebody material: Brass, SS304

Sealing material: PTFE

Interface: G thread, NPT thread

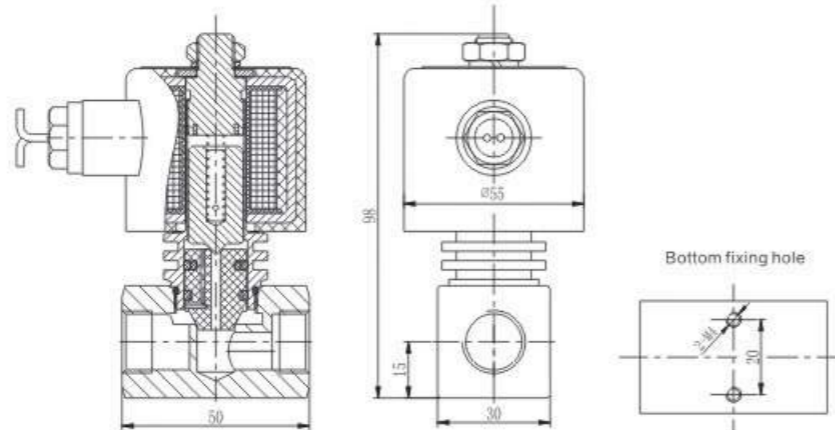
Working voltage: NC: AC220~240V, AC110V, AC24V, 50/60Hz; 20VA, DC24/12V, 20W, plastic coil, IP65, H degree
NO: AC220~240V, AC110V, AC24V, 50/60Hz; 23VA, DC24/12V, 28W, plastic coil, IP65, H degree

Order code

PS	Thread	J	K	N	T	Voltage
Model	08:1/4" 10:3/8" 15:1/2" 20:3/4" 25:1" 32:1 1/4" 40:1 1/2" 50:2"	Blank:Brass J:SS304	Blank:NC K:NO	Blank:Wire lead plastic coil N:DIN plastic coil	Blank:G thread T:NPT thread	AC220V AC110V AC24V DC24V DC12V

PS-A-08/10 NC solenoid valve drawing (orifice size:Φ8mm Φ10mm, thread:1/4" 3/8")

Model	Orifice (mm)	Interface Size	Valvebody material
PS-A-08	8	1/4"	Brass
PS-A-08J	8	1/4"	SS 304
PS-A-10	10	3/8"	Brass
PS-A-10J	10	3/8"	SS 304



PS series 2-way piston steam solenoid valve 1/4" ~ 2"



PS-A-08/10J

PS-20

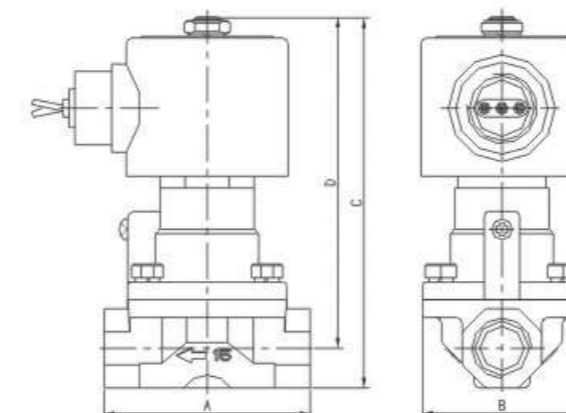
PS-32

PS-50K

PS series steam solenoid valve specification table

Interface size G	Orifice size (mm)	Cv	Working pressure (bar)			Max medium temperature (°C)	Sealing material	Coil		Normal order code	
			Min pressure	Max pressure				VA	W	Plastic coil	
				NC	NO					AC220V	
										G thread	
Brass		SS304									
1/4"	8	1.8	0.1	16	-	180	H	20	20	PS-A-08-AC220V	PS-A-08J-AC22
3/8"	10	3.1	0.1	16	-	180	H	20	20	PS-A-10-AC220V	PS-A-10J-AC22
3/8"	15	4.8	0.4	16	8	180	H	20	20	PS-10-AC220V	PS-10J-AC220V
1/2"	15	4.8	0.4	16	8	180	H	20	20	PS-15-AC220V	PS-15J-AC220V
3/4"	20	7.6	0.4	16	8	180	H	20	20	PS-20-AC220V	PS-20J-AC220V
1"	25	12	0.4	16	8	180	H	20	20	PS-25-AC220V	PS-25J-AC220V
1 1/4"	32	24	0.4	12	8	180	H	20	20	PS-32-AC220V	PS-32J-AC220V
1 1/2"	40	30	0.4	12	8	180	H	20	20	PS-40-AC220V	PS-40J-AC220V
2"	50	48	0.4	12	8	180	H	20	20	PS-50-AC220V	PS-50J-AC220V

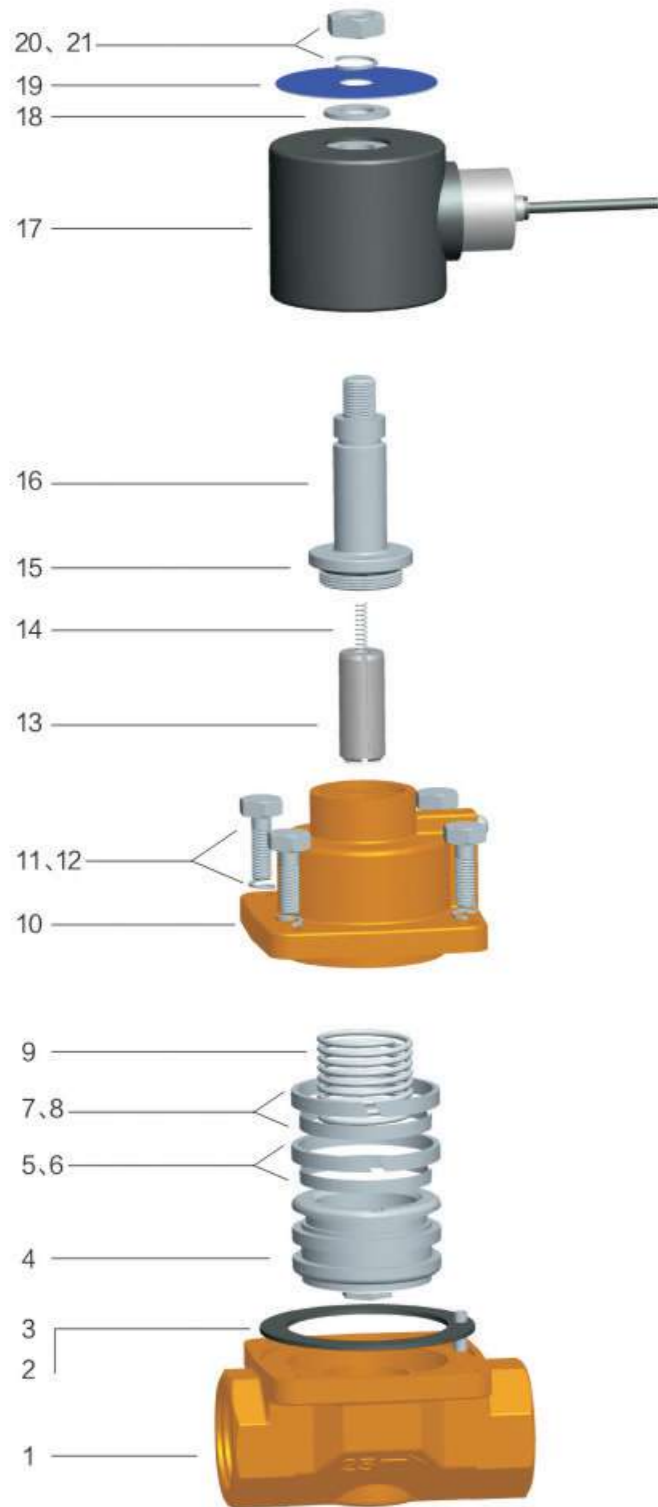
PS-15 ~ 50 series solenoid valve (NC) dimensions table



Model	A	B	C	D
PS-10	70	53	135	122.5
PS-15	70	53	135	122.5
PS-20	74	57	142	125.5
PS-25	92	69	150	130
PS-32	110	85	164	139
PS-40	122	90	168	140
PS-50	160	117	190	155

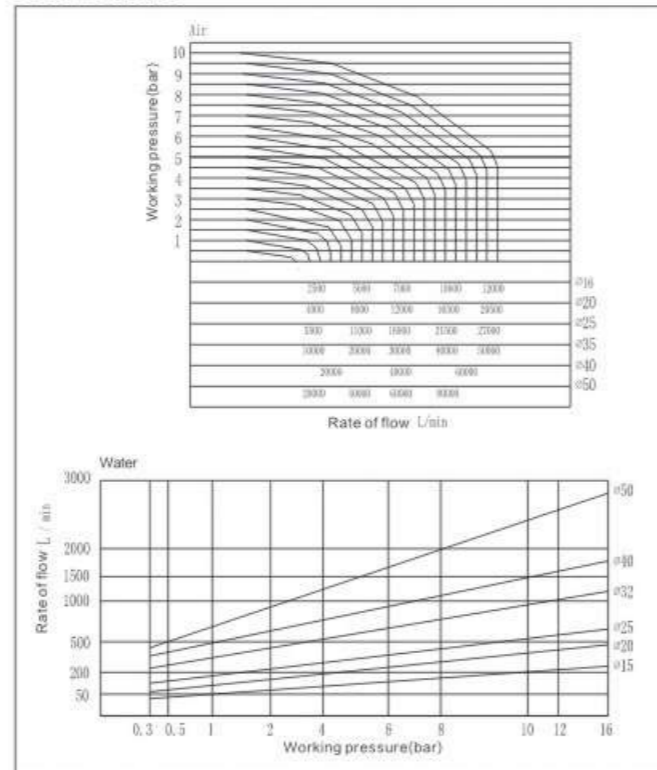
PS series 2-way piston(NC) steam solenoid valve

Components table



Code	Components	Material
1	Valve body	Brass or SS304
2	Outlet positioning sleeve	SS304
3	Body seal	
4	Piston assembly	
5	Elastic ring	SS304 Spring steel
6	Piston ring	Filled PTFE
7	Elastic ring	SS304 Spring steel
8	Piston ring	Filled PTFE
9	Piston spring	SS304 Spring wire
10	Bonnet assembly	Brass or SS304
11	Hex screw	SS304
12	Spring washers	
13	Plunger assembly	
14	Iron core spring	
15	O-ring	
16	Magnetic isolation tube assembly	
17	Coil	
18	Flat washers	
19	Nameplate	
20	Spring washers	
21	Locknut	

Flow chart



PS series flange 2-way piston steam solenoid valve DN15 ~ 80 mm



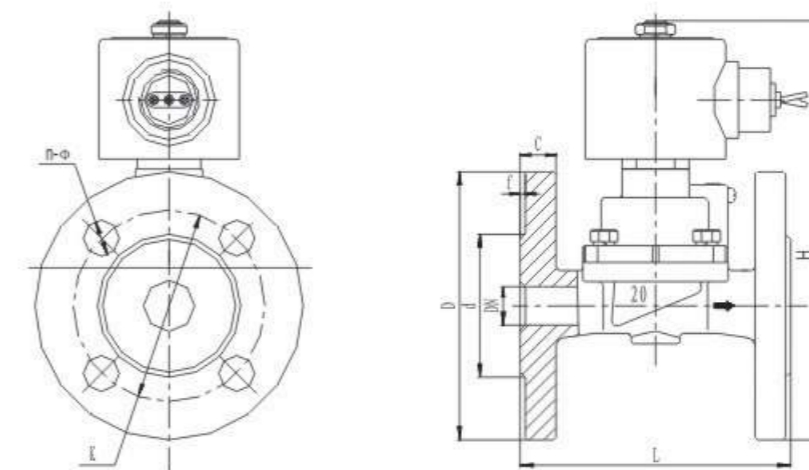
Working medium: steam, high temperature liquid
Working type: pilot operated (NC/NO)
Working pressure: 0.4 ~ 16bar(details see specification table)
Valvebody material: Brass, SS304
Interface: flange
Working voltage: NC: AC220 ~ 240V, AC110V, 50/60Hz; 20VA, DC24/12V, 20W, IP65, H degree
 NO: AC220 ~ 240V, AC110V, 50/60Hz; 23VA, DC24/12V, 28W, IP65, H degree

Medium temperature: 0 ~ 180 °C
Sealing material: PTFE

Order code

PS	Orifice	J	F	K	N	Voltage
Model	15:15mm 20:20mm 25:25mm 32:32mm 40:40mm 50:50mm 80:80mm	Blank:Brass J:SS304 C:cast iron	F:Flange	Blank:NC K:NO	Blank:Wire lead plastic coil N:DIN plastic coil terminal	AC220V AC110V DC24V DC12V

PS series flange (NC) solenoid valve drawing



PS series flange 2-way piston steam solenoid valve

PS series flange (NC) solenoid valve specification table

Model	Orifice size (mm)	Cv	Working pressure (bar)			Max medium temperature °C	Sealing material	Coil		NC Normal order code		
			Min pressure	Max pressure				NC Power		Wire lead plastic coil AC220V	Brass	SS304
				NC	NO			VA	W			
PS-15JF	18	7.2	0.4	16	8	180	H	20	20		PS-15JF-AC220V	
PS-20JF	18	7.2	0.4	16	8	180	H	20	20		PS-20JF-AC220V	
PS-25JF	25	12	0.4	16	8	180	H	20	20		PS-25JF-AC220V	
PS-32JF	32	24	0.4	12	8	180	H	20	20		PS-32JF-AC220V	
PS-40JF	40	30	0.4	12	8	180	H	20	20		PS-40JF-AC220V	
PS-50JF	50	48	0.4	12	8	180	H	20	20		PS-50JF-AC220V	
PS-80JF	80	75	0.4	10	6	180	H	20	20		PS-80JF-AC220V	
PS-25F	25	12	0.4	16	8	180	H	20	20	PS-25F-AC220V		
PS-32F	32	24	0.4	12	8	180	H	20	20	PS-32F-AC220V		
PS-40F	40	30	0.4	12	8	180	H	20	20	PS-40F-AC220V		
PS-50F	50	48	0.4	12	8	180	H	20	20	PS-50F-AC220V		

PS series flange (NC) solenoid valve dimensions table

Model	PN=1.6MPa GB/T9113.1-2000 flange connection dimension (mm)								
	DN	L	D	H	K	d	C	f	n-Φ
PS-15JF	18	106	95	165	65	46	14	2	4-Φ14
PS-20JF	18	106	105	167	75	56	16	2	4-Φ14
PS-25JF	25	135	115	190	85	65	16	3	4-Φ14
PS-32JF	32	140	140	218	100	76	18	3	4-Φ18
PS-40JF	40	148	150	228	110	84	18	3	4-Φ18
PS-50JF	50	182	165	243	125	99	20	3	4-Φ18
PS-80JF	80	278	200	324	160	132	20	3	8-Φ18
PS-25F	25	118	115	187	85	65	16	3	4-Φ14
PS-32F	32	140	140	218	100	76	18	3	4-Φ18
PS-40F	40	150	150	230	110	84	18	3	4-Φ18
PS-50F	50	185	165	245	125	99	20	3	4-Φ18

RSPS series zero pressure differential(NC) steam solenoid valve 1/4 " ~ 2 "

Working medium: steam, high temperature liquid

Medium temperature: 0~180°C

Working pressure: 0~10bar (details see specification table)

Working type: semi direct acting (NC)

Valve body material: Brass, SS304

Sealing material: PTFE

Interface: G thread, NPT thread

Working voltage: AC220~240V, AC110V, 50/60Hz; DC24/12V, IP65, H degree

Power: DN15~20mm: AC220V 23VA, DC24V 28W wire lead plastic coil

DN25~50mm: AC220V 48VA, DC24V 42W wire lead plastic coil

Order code

RSPS	—	Thread	—	J	—	N	—	T	—	Voltage
Model		10:3/8" 15:1/2" 20:3/4" 25:1" 32:1 1/4" 40:1 1/2" 50:2"		Blank:Brass J:SS304		Blank:Wire lead plastic coil N:DIN plastic coil		Blank:G thread T:NPT thread		AC220V AC110V DC24V

RSPS series zero pressure differential(NC) steam solenoid valve



RSPS-15~20



RSPS-15~20J

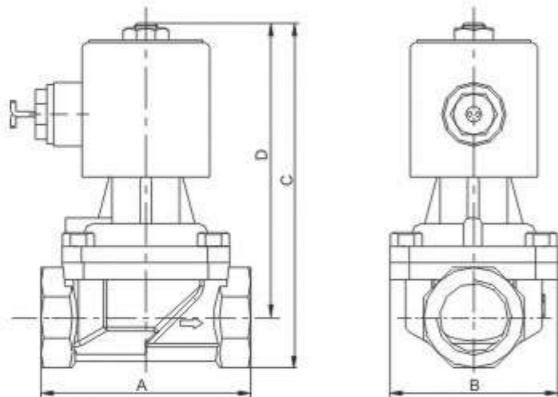


RSPS-25~50

RSPS series steam solenoid valve (NC) specification table

Interface size	Orifice size (mm)	Cv	Working pressure (bar)		Max medium temp (°C)	Sealing material	Coil		Normal order code		
			Min pressure	Max pressure			AC 220V	DC 24V	Power		
									VA	W	
									G thread		
Steam	High Temperature	AC 220V	DC 24V	Brass	SS304						
1/2"	15	4.8	0	10	6	180	H	23	28	RSPS-15-AC220V	RSPS-15J-AC220V
3/4"	20	7.6	0	10	6	180	H	23	28	RSPS-20-AC220V	RSPS-20J-AC220V
1"	25	12	0	10	6	180	H	48	42	RSPS-25-AC220V	RSPS-25J-AC220V
1 1/4"	32	24	0	10	5	180	H	48	42	RSPS-32-AC220V	RSPS-32J-AC220V
1 1/2"	40	30	0	10	5	180	H	48	42	RSPS-40-AC220V	RSPS-40J-AC220V
2"	50	48	0	10	5	180	H	48	42	RSPS-50-AC220V	RSPS-50J-AC220V

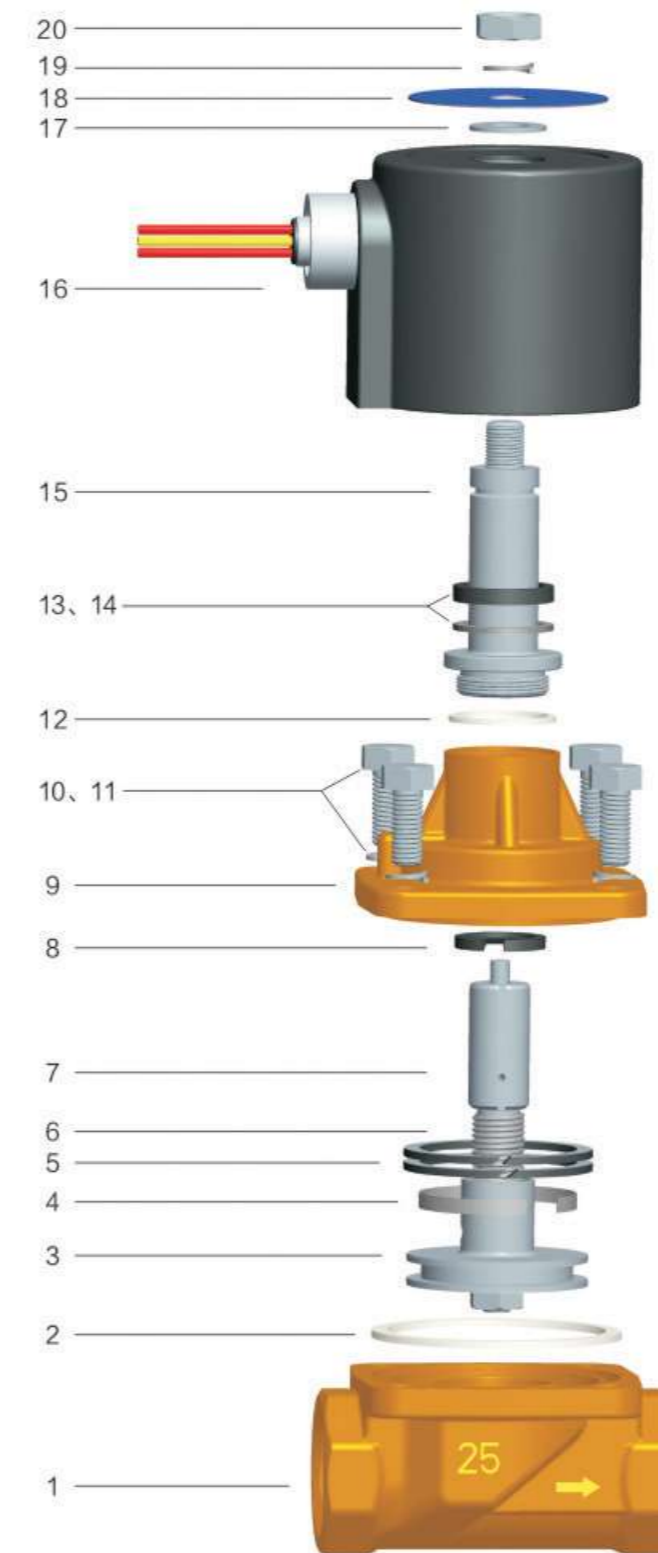
RSPS-15 ~ 50 series (NC) steam solenoid valve drawing



Model	A	B	C	D	Weight (Kg)	
RSPS-15	67	56	122	107	0.8	0.8
RSPS-20	80	60	140	123	1.0	1.0
RSPS-25	92	72	151	129	1.5	1.4
RSPS-32	96	75	175	149	2.1	1.9
RSPS-40	118	93	183	153	2.7	2.6
RSPS-50	150	116	202	167	4.5	4.1

RSPS series zero pressure differential(NC) steam solenoid valve

Components table



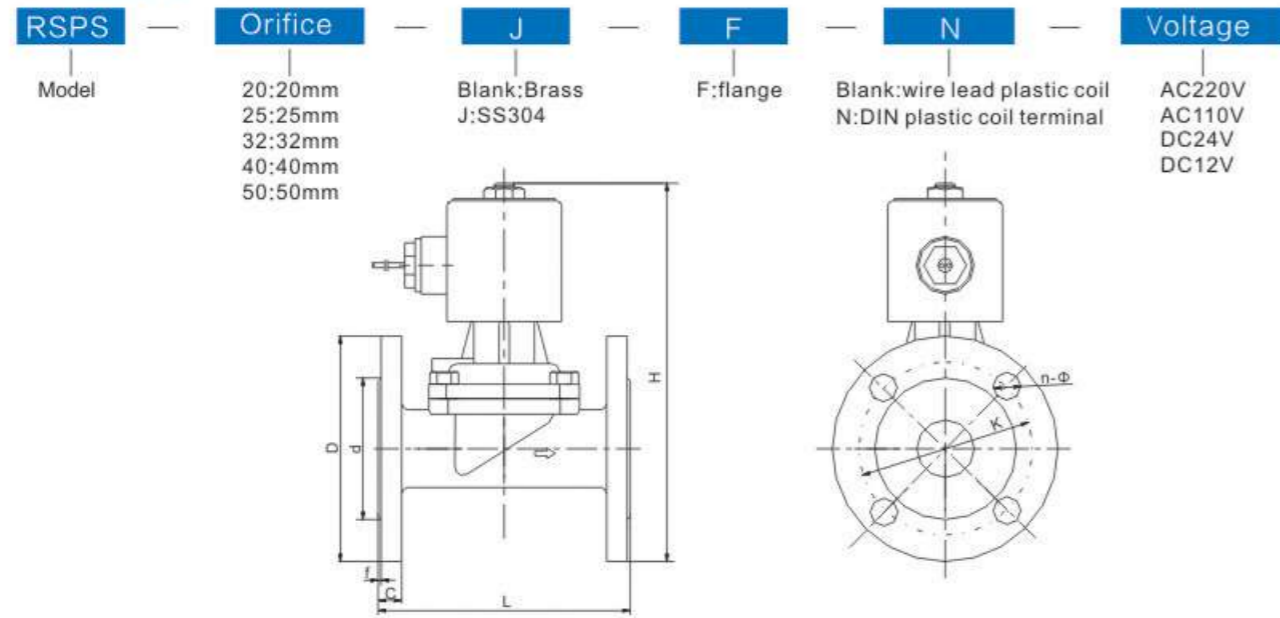
Code	Components	Material
1	Valve body	Brass or SS304
2	Body seals ring	PTFE
3	Piston assembly	
4	Elastic ring	SS304
5	Piston ring	Filling PTFE
6	Spring	SS304
7	Plunger	
8	Guide sleeve	Filling PTFE
9	Valve cover	Brass or SS304
10	Screw	SS304
11	Gasket	SS304
12	Seal	
13	Metal washer	
14	Plastic washer	
15	Plunger tube	
16	Coil	
17	Washer	
18	Nameplate	Ly12
19	Gasket	SS304
20	Locknut M10 × 1	SS201

RSPS series flange zero pressure differential(NC) steam solenoid valve DN15~50mm

Working medium: steam, high temperature liquid
Working pressure: 0~10 (details see specification table)
Valve body material: Brass, SS304
Interface: flange
Working voltage: AC220~240V, AC110V, 50/60Hz, DC24/12V, IP65, H degree
 AC power: DN15~20mm: AC220V 23VA, DN25~50mm: 48VA
 DC power: DN15~20mm: DC24V 28W, DN25~50mm: 42W

Medium temperature: 0~180 °C
Working type: semi direct acting (NC)
Sealing material: PTFE

Order code



RSPS series flange(NC) solenoid valve dimension table

Model	PN=1.6MPa GB/T9113.1-2000		Flange connection dimension (mm)						
	DN	L	D	H	K	d	C	f	n-φ
RSPS-15JF	15	106	95	164	65	46	14	2	4-φ14
RSPS-20JF	20	106	105	166	75	56	16	2	4-φ14
RSPS-25JF	25	135	115	185	85	65	16	3	4-φ14
RSPS-32JF	32	140	140	220	100	76	18	3	4-φ18
RSPS-40JF	40	145	150	230	110	84	18	3	4-φ18
RSPS-50JF	50	182	165	250	125	99	20	3	4-φ18
RSPS-20F	20	107	105	160	75	56	16	2	4-φ14
RSPS-25F	25	123	115	195	85	65	16	3	4-φ14
RSPS-32F	32	135	140	222	100	76	18	3	4-φ18
RSPS-40F	40	154	150	235	110	84	18	3	4-φ18
RSPS-50F	50	190	165	250	125	99	20	3	4-φ18

RSPS series flange zero pressure differential(NC) steam solenoid valve



RSPS series flange(NC) solenoid valve specification table

Model	Orifice size (mm)	Cv	Working pressure (bar)		Max medium temp (°C)	Sealing material	Coil		Normal order code		
			Min pressure	Max pressure			VA	W	AC220V		
				Steam					High temperature liquid (Viscosity ≤ 20cst)	Flange connection	
							AC220V	DC24V		Wire lead plastic coil	
RSPS-15JF	15	7.2	0	10	6	180	H	23	28		RSPS-15JF-AC220V
RSPS-20JF	20	7.2	0	10	6	180	H	23	28		RSPS-20JF-AC220V
RSPS-25JF	25	12	0	10	6	180	H	48	42		RSPS-25JF-AC220V
RSPS-32JF	32	24	0	10	5	180	H	48	42		RSPS-32JF-AC220V
RSPS-40JF	40	30	0	10	5	180	H	48	42		RSPS-40JF-AC220V
RSPS-50JF	50	48	0	10	5	180	H	48	42		RSPS-50JF-AC220V
RSPS-20F	20	7.6	0	10	6	180	H	23	28	RSPS-20F-AC220V	
RSPS-25F	25	12	0	10	6	180	H	48	42	RSPS-25F-AC220V	
RSPS-32F	32	24	0	10	5	180	H	48	42	RSPS-32F-AC220V	
RSPS-40F	40	30	0	10	5	180	H	48	42	RSPS-40F-AC220V	
RSPS-50F	50	48	0	10	5	180	H	48	42	RSPS-50F-AC220V	

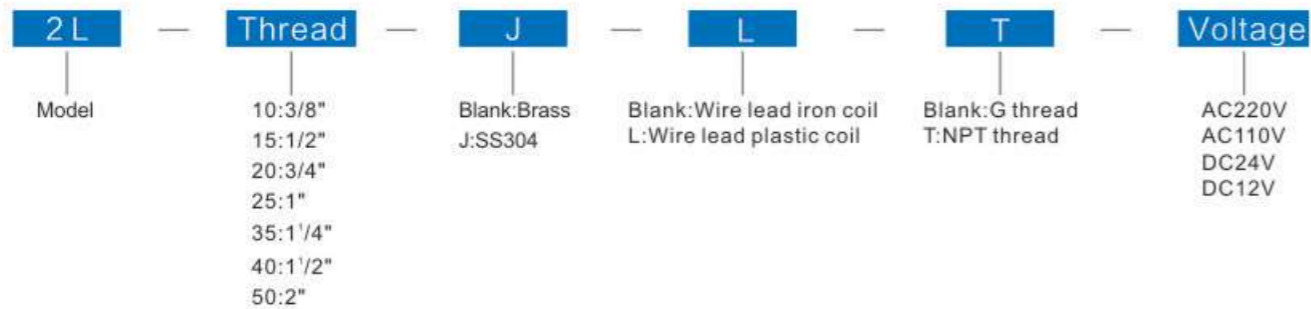
2L series 2-way piston(NC) steam solenoid valve 3/8" ~ 2"



Working medium: steam, high temperature liquid (viscosity ≤ 20cst)
Working pressure: 0.5 ~ 10 bar
Valve body material: Brass, SS304
Interface: G thread, NPT thread
Working voltage: AC220 ~ 240V, AC110V, 50/60Hz, 50VA, DC24V/12V 30W, IP54 H degree
Options: Rc thread

Medium temperature: -5 ~ 180°C
Working type: pilot operated, (NC)
Sealing material: PTFE

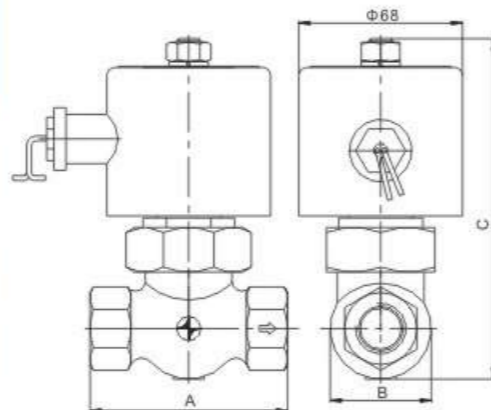
Order code



2L series solenoid valve specification table

Model	Orifice (mm)	Interface	Cv	Working pressure (bar)		Dimension A×B×C	Normal order code	Weight(Kg)	
				AC220V	DC24V			Brass	SS304
2L-10	17	3/8"	4.8	0.5~16	0.5~16	82×42×146	2L-10-AC220V	1.5	1.4
2L-15	17	1/2"	4.8	0.5~16	0.5~16	82×42×146	2L-15-AC220V	1.5	1.4
2L-20	17	3/4"	4.8	0.5~16	0.5~16	82×42×146	2L-20-AC220V	1.8	1.8
2L-25	20	1"	11	0.5~16	0.5~16	90×54×162	2L-25-AC220V	2.6	2.5
2L-35	30	1 1/4"	25	0.5~16	0.5~16	110×75×185	2L-35-AC220V	2.9	2.5
2L-40	30	1 1/2"	25	0.5~16	0.5~16	110×75×185	2L-40-AC220V	3.4	2.9
2L-50	38	2"	48	0.5~12	0.5~12	120×77×195	2L-50-AC220V	3.8	

2L-series solenoid valve drawing



YSE series 2-way stainless steel high pressure solenoid valve 1/4"~1"

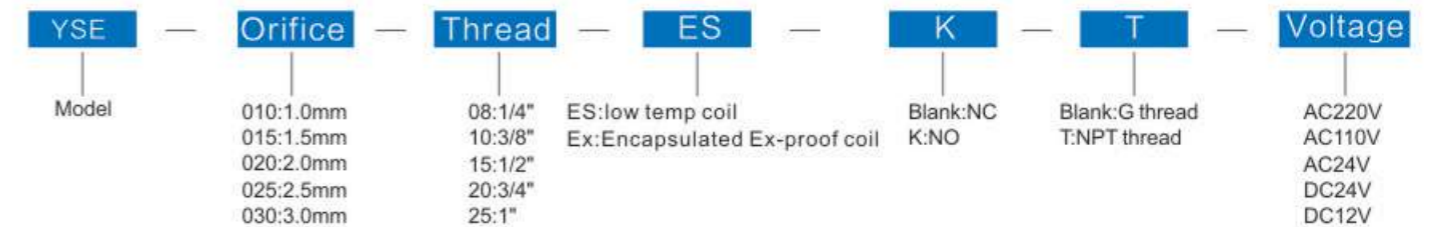


Working medium: liquid, gas
Working pressure: 0~300bar (See the table below)
Interface thread: G thread, NPT thread
Body material: SS304
Working voltage: ES low temp coil AC220V/AC110V 50/60Hz 8VA, DC24V/6V, IP65, H degree, Other voltages can be customized

Fluid temperature: -10 ~ 80°C
Ambient temperature: -10 ~ 55°C
Working type: DN1~4 direct acting, DN10~25 pilot operated
Sealing material: PTFE

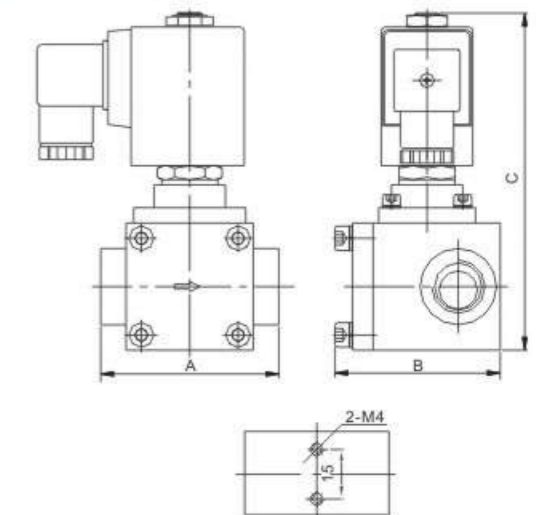
Optional: Nass coil, LED light connector, Encapsulated Ex-proof coil, Digital timer, Rc thread

Order code



YSE Series solenoid valve specification table and pilot operated type drawing

Model	Orifice (mm)	Interface	Cv	Working pressure (bar)			Dimensions A×B×C(mm)
				NC	NO	NC	
				AC220V	DC24V	NO	
YSE-010ES	1	1/4" or 3/8"	0.04	0~300	0~200	0~60	44×25×80
YSE-015ES	1.5		0.08	0~250	0~200	0~50	44×25×80
YSE-020ES	2		0.15	0~180	0~120	0~30	44×25×80
YSE-025ES	2.5		0.20	0~110	0~80	0~15	44×25×80
YSE-030ES	3		0.25	0~80	0~40	0~10	44×25×80
YSE-040ES	4		0.6	0~40	0~15	0~5	44×25×80
YSE-10ES	10	3/8"	3.5	6~160	6~120	6~50	60×55×109
YSE-15ES	15	1/2"	4.7	6~160	6~120	6~50	70×65×119
YSE-20ES	20	3/4"	7.0	6~160	6~120	6~50	80×74×124
YSE-25ES	25	1"	11.0	6~160	6~120	6~50	90×87×134



1. Match Ex pouring type explosion-proof coil solenoid valve. The highest pressure is 0.8 times the maximum pressure in the ES coil configuration table;
 2. ES, Ex coil configuration solenoid valve fluid temperature -10~+80°C.

YSE-010-040ES bottom mounting hole

YSI series 2-way piston type high pressure solenoid valve DN15~50mm



YSI-20ES



YSI-40ES



YSI-50F ES

Working medium: liquid, gas, light oil (viscosity ≤ 20cst)

Fluid temperature: -10~80°C

Working pressure: 6~100bar (See the details below)

Working type: pilot operated

Body material: stainless steel SS304

Sealing material: PTFE

Connection type: threaded connection (G thread, NPT thread), flange connection

Working voltage: standard ES energy-saving coil (AC220V8VA, DC24V6W) , IP65,H degree,
Other voltages can be customized

Conventional coil: AC220V/AC110V 50/60Hz 24VA, DC24/12V 20W

Optional: LED light connector, Ex:encapsulated Ex-proof coil, Digital timer, Rc thread

Order code

YSI	Thread	K	ES	F	Voltage
Model	15:1/2" 20:3/4" 25:1" 32:1 1/4" 40:1 1/2" 50:2"	Blank:NC K:NO	ES:Low temp coil Ex:Encapsulated Ex-proof coil	Blan:G thread T:NPT thread F:Flange	AC220V AC110V AC24V DC24V DC12V

YSI series 2-way SS piston type high pressure solenoid valve

YSI series high pressure solenoid valve specification parameter list

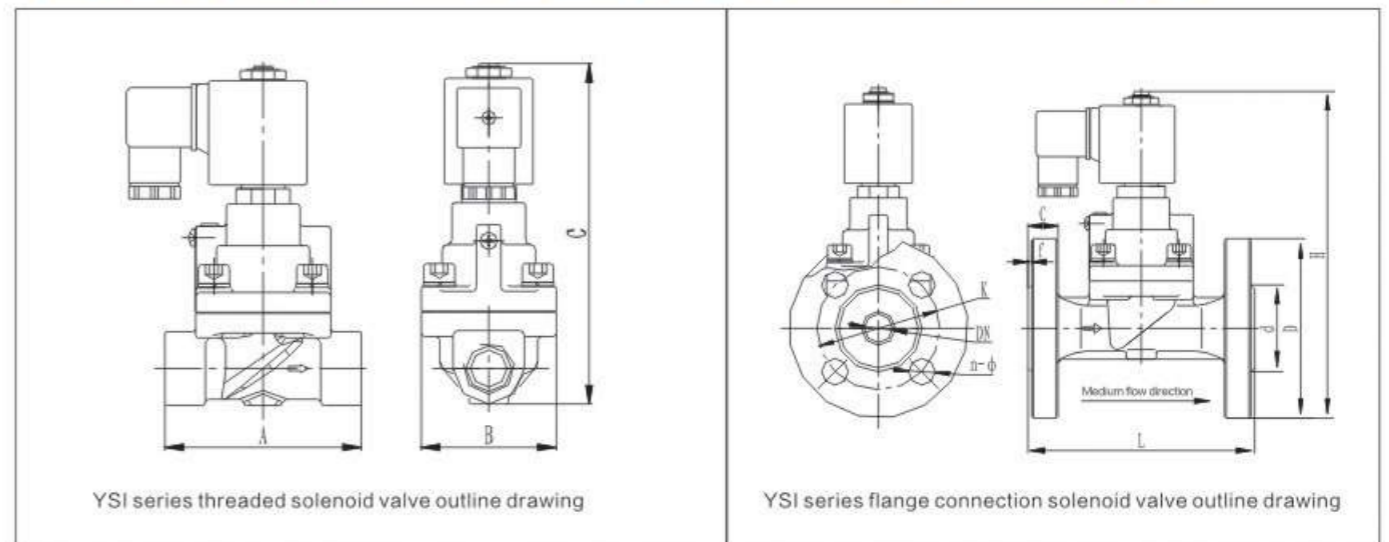
Model	Orifice (mm)	Interface	Cv	Work pressure (bar)					Dimensions A × B × C (mm)	Weight (kg)
				NC				NO		
				Normal coil		ES energy saving coil				
				AC220V	DC24V	AC220V	DC24V	AC220V DC24V		
YSI-15J-ES	15	1/2"	4.8	6~100	6~100	6~100	6~100	6~40	80 × 55 × 140	1.1
YSI-20J-ES	20	3/4"	7.6	6~100	6~100	6~100	6~100	6~40	90 × 60 × 153	1.6
YSI-25J-ES	25	1"	12	6~100	6~100	6~100	6~100	6~40	100 × 68 × 162	2.1
YSI-32J-ES	32	1 1/4"	20	6~80	6~80	6~80	6~80	6~30	110 × 80 × 170	2.6
YSI-40J-ES	40	1 1/2"	30	6~80	6~80	6~80	6~80	6~30	130 × 90 × 185	3.7
YSI-50J-ES	50	2"	48	6~80	6~80	6~80	6~80	6~30	150 × 108 × 201	5.3

Note: 1.ES coil, Ex low temperature explosion-proof coil solenoid valve fluid temperature -10~80°C
2.Ordinary coil solenoid valve fluid temperature -10~120°C

YSI flange Series (NC) Solenoid Valve Dimensions

Model	PN=2.5MPa GB/T9113.1-2000 Flange connection size (mm)									
	DN	L	D	H	K	d	C	f	n-Φ	Weight (kg)
YSI-15JF-ES	15	120	95	175	65	46	14	2	4-Φ14	2.5
YSI-20JF-ES	20	130	105	188	75	56	16	2	4-Φ14	3.5
YSI-25JF-ES	25	140	115	210	85	65	16	2	4-Φ14	4.3
YSI-32JF-ES	32	160	140	218	100	76	18	2	4-Φ18	6.4
YSI-40JF-ES	40	170	150	232	110	84	18	2	4-Φ18	7.8
YSI-50JF-ES	50	200	165	258	125	99	20	2	4-Φ18	11.1

YSI series threaded connection and flanged (NC) solenoid valve outline drawing



YSP series 2-way piston type high pressure solenoid valve DN15 ~ 50 mm



YSP-15~25J



YSP-32~50J



YSP-32~50JF

Working medium: liquid, gas

Fluid temperature: -10~80°C

Working pressure: 0.5~50 bar (see the specification sheet for details)

Working type: pilot type (NC, NO)

Body material: stainless steel SS304

Sealing material: PTFE

Interface: G thread, NPT thread, flange

Working voltage: AC220~240V, AC110V 50/60Hz, 23VA, DC24V28W, Plastic coil, IP65 H degree

Order code

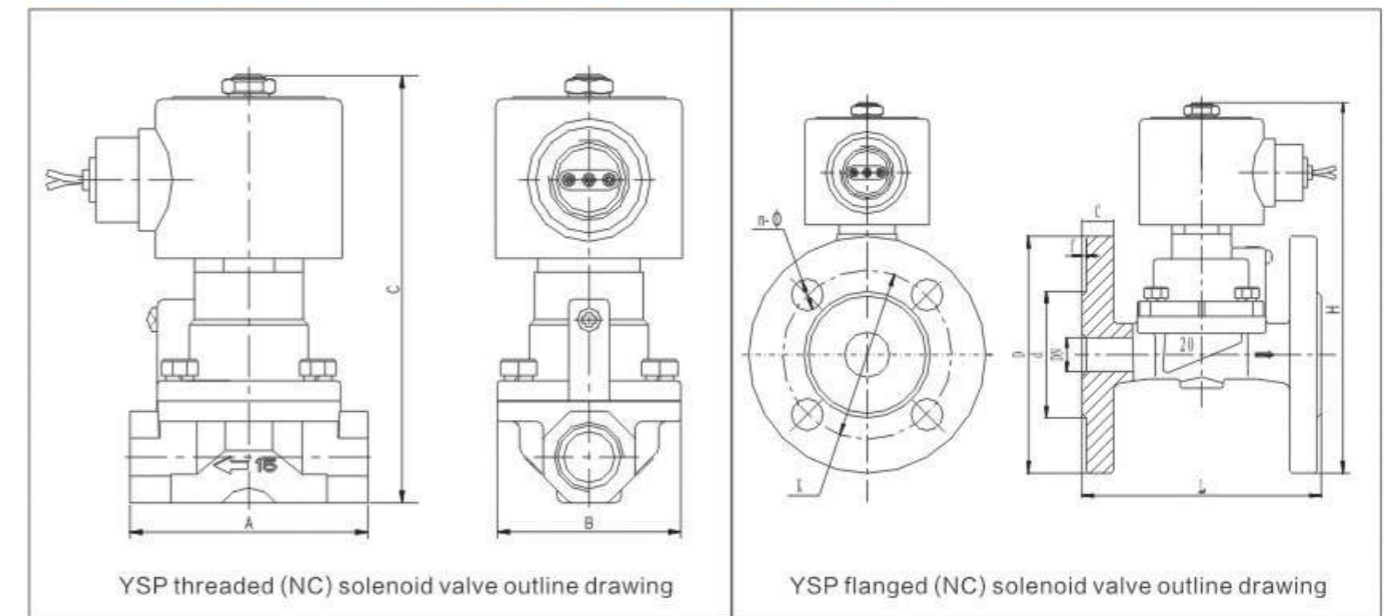
YSP	Thread	J	F	K	Voltage
Model	15:1/2" 20:3/4" 25:1" 32:1 1/4" 40:1 1/2" 50:2"	J:SS304	Blank:G thread T:NPT thread F:Flange	Blank:NC K:NO	AC220V AC110V DC24V DC12V

YSP series 2-way piston type high pressure solenoid valve

YSP Series high pressure solenoid valve specification table (and threaded valve dimensions)

Model	Orifice (mm)	Interface	Cv	Working pressure (bar)				Dimensions A×B×C (mm)	Weight (kg)
				NC		NO			
				AC220V	DC24V	AC220V	DC24V		
YSP-15J	15	1/2"	4.8	0.5~50	0.5~40	0.5~20	0.5~20	70×53×135	1.1
YSP-20J	20	3/4"	7.6	0.5~50	0.5~40	0.5~20	0.5~20	74×57×142	1.3
YSP-25J	25	1"	12	0.5~50	0.5~40	0.5~20	0.5~20	92×69×150	1.7
YSP-32J	32	1 1/4"	20	0.5~30	0.5~30	0.5~20	0.5~20	110×85×164	2.7
YSP-40J	40	1 1/2"	31	0.5~30	0.5~30	0.5~20	0.5~20	122×90×168	2.9
YSP-50J	50	2"	48	0.5~30	0.5~30	0.5~20	0.5~20	160×117×190	4.7

Threaded and flanged (NC) solenoid valve outline drawing



YSP series flange connection solenoid valve dimension table

Model	PN=1.6MPa GB/T9113.1-2000 Flange connection size (mm)									Weight (Kg)
	DN	L	D	H	K	d	C	f	n-Φ	
YSP-32JF	32	140	140	218	100	76	18	3	4-Φ18	4.5
YSP-40JF	40	148	150	228	110	84	18	3	4-Φ18	5.5
YSP-50JF	50	182	165	243	125	99	20	3	4-Φ18	7.5

RSQ series 2-way pilot operated(NC) solenoid valve 1/2" ~ 2"

Working medium: water, liquid, air, light oil (viscosity ≤ 20cst)

Medium temperature: -10~80°C (NBR sealing)

Working pressure: 0.3~16bar (details see specification table)

Working type: pilot operated(NC)

Valvebody material: Brass, SS304

Sealing material: NBR (-10~80°C)

Interface: G thread, NPT thread

Working voltage: AC220~240V, AC110V, 50/60Hz, DC24/12V

DN10~25: AC220V 10VA, DC24V 6W

DN32~50: AC220V 11VA, DC24V 9W IP65, H degree

Options:

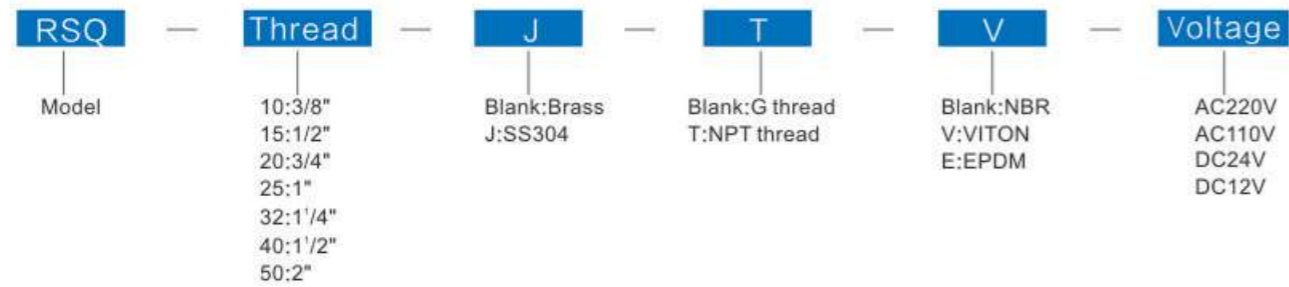
Sealing material: EPDM (-20~130°C) or VITON (-15~120°C)

LED light connector

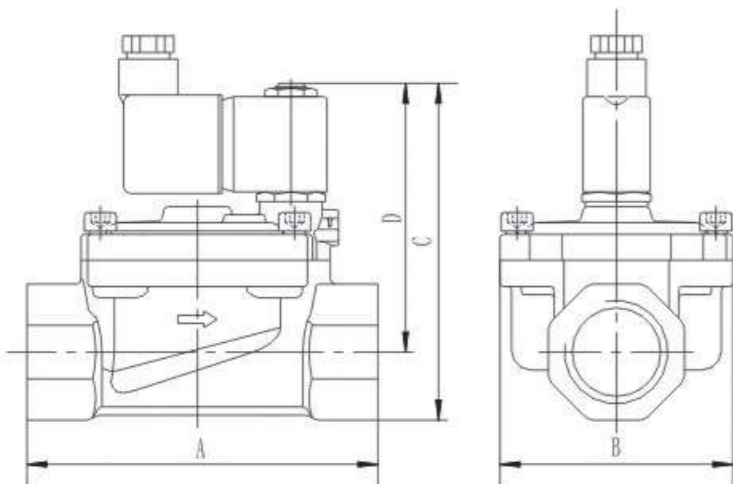


RSQ-25

Order code



RSQ series solenoid valve drawing



Model	A	B	C	D	Weight (Kg)	
					Brass	SS304
RSQ-10	66	42	82	69	0.5	0.45
RSQ-15	66	42	82	69	0.5	0.45
RSQ-20	79	51	89	73	0.6	0.55
RSQ-25	105	71	106	85	1.2	1.1
RSQ-32	130	85	114	89	1.7	1.5
RSQ-40	140	96	124	95	2.3	2.1
RSQ-50	175	125	140	105	4.3	3.9

RSV series 2-way low power (diaphragm) solenoid valve 1/8" ~ 1"

Working medium: water, liquid, air, light oil (viscosity ≤ 20cst)

Medium temperature: -10~80°C (NBR sealing)

Working pressure: 0~8 bar

Working type: direct acting, pilot operated

Valvebody material: Brass

Sealing material: NBR (-10~80°C)

Interface: G thread, NPT thread

Working voltage: AC220/110V, 50/60Hz 6VA, DC24/12V 6W

Options: sealing material: EPDM (-20~130°C) or VITON (-15~120°C)

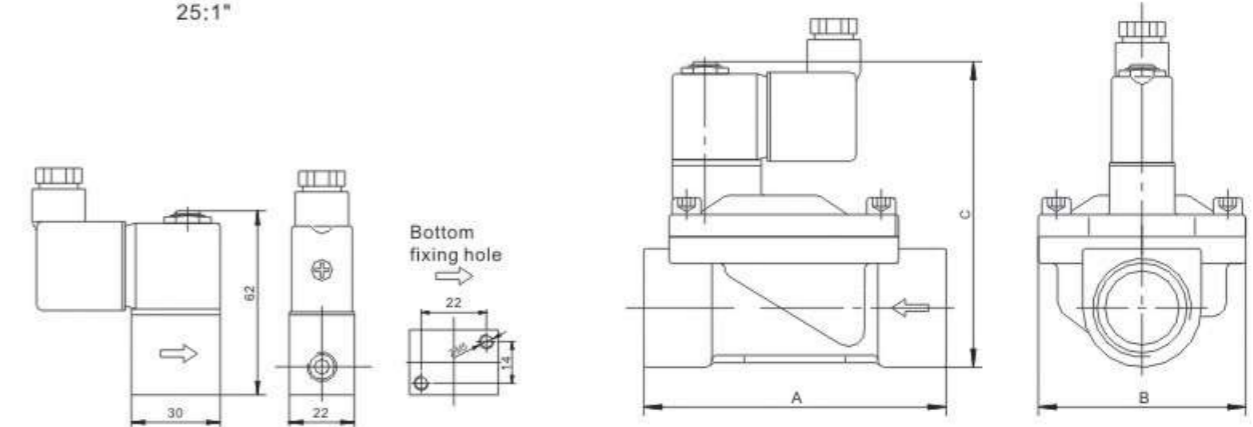
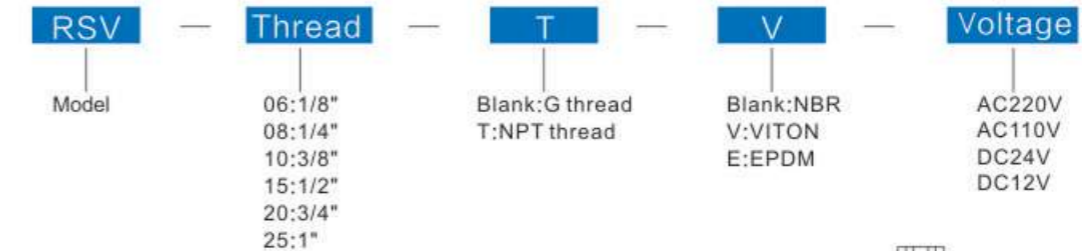
Rc thread, LED light connector



RSV-025-08

RSV-25

Order code



RSV-025-08 direct acting solenoid valve drawing

RSV-10-25 pilot operated solenoid valve drawing

RSV series 2-way low power (diaphragm) specification table

Model	Orifice size(mm)	Interface size	Cv	Pressure(bar)	A × B × C	Weight (Kg)	Note
RSV-025-06	2.5	1/8"	0.2	0~8	30 × 22 × 62	0.22	Direct acting
RSV-025-08	2.5	1/4"	0.2	0~8	30 × 22 × 62	0.22	
RSV-10	13	3/8"	3.5	0.3~8	72 × 48 × 100	0.62	Pilot operated
RSV-15	13	1/2"	3.5	0.3~8	72 × 48 × 100	0.6	
RSV-20	25	3/4"	20	0.3~8	100 × 70 × 105	1.1	
RSV-25	25	1"	20	0.3~8	100 × 70 × 105	1.0	

SLDF series 2-way(NC) underwater solenoid valve 1/2" ~2" DN15~200mm

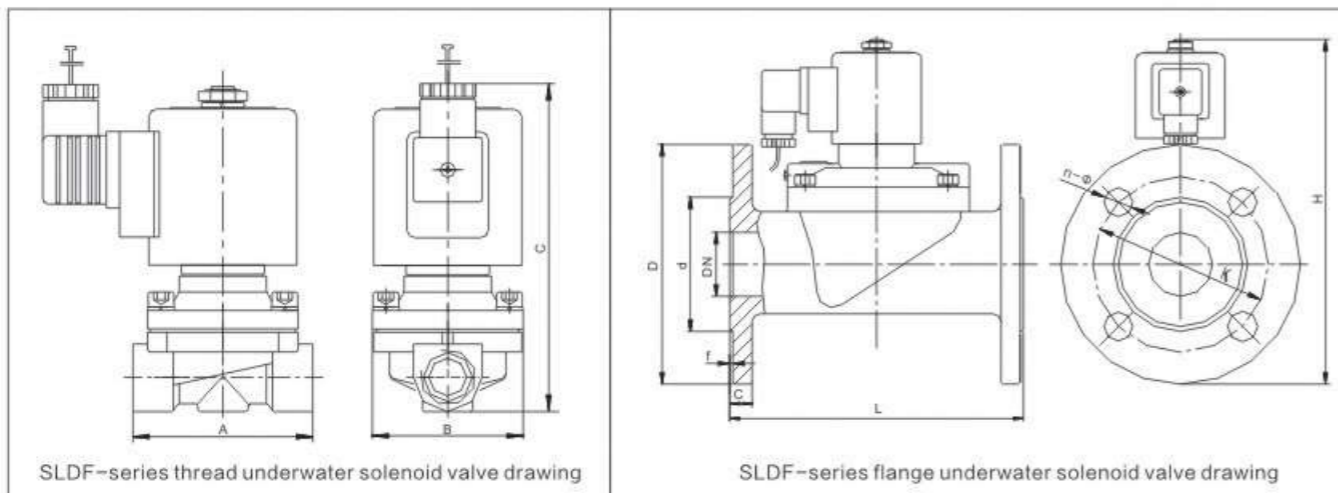


Working medium: water
Medium temperature: -5~60°C
Working pressure: 0~8bar(details see specification table)
Working type: DN15~50mm: semi-direct acting(NC, NO), pilot operated(DN65~200mm NC)
Valvebody material: Brass, SS304, PA66, cast iron
Sealing material: NBR
Interface: G thread, NPT thread, flange
Working voltage: AC220~240V, AC110V, 50/60Hz; DC24/12V, AC 32VA, DC 36W, IP68, H degree

Order code

SLDF	—	Orifice	—	J	—	K	—	F	—	Voltage
Model		15:15mm 20:20mm 25:25mm 32:32mm 40:40mm 50:50mm		Blank:Brass J:SS304 C:cast iron SL:PA66		Blank:NC K:NO		Blank:G thread T:NPT thread F:flange		AC220V AC110V DC24V

SLDF series underwater solenoid valve drawing



SLDF series 2-way(NC) underwater solenoid valve

SLDF series solenoid valve specification table

Model	Orifice (mm)	Interface	Cv	Pressure (bar)	A × B × C (mm)	Normal order code		Valvebody material
						AC220V, G thread		
SLDF-15	15	1/2"	3.8	0~6	60 × 45 × 101	SLDF-15-AC220V		Brass SS304
SLDF-20	20	3/4"	7.6	0~6	67 × 50 × 107	SLDF-20-AC220V		
SLDF-25	25	1"	12	0~6	82 × 60 × 115	SLDF-25-AC220V		
SLDF-32	32	1 1/4"	24	0~6	110 × 85 × 154	SLDF-32-AC220V		
SLDF-40	40	1 1/2"	30	0~6	120 × 90 × 162	SLDF-40-AC220V		
SLDF-50	50	2"	48	0~6	154 × 112 × 185	SLDF-50-AC220V		
SLDF-15SL	15	1/2"	3.8	0~6	76 × 68 × 107	SLDF-15SL-AC220V		PA66
SLDF-20SL	20	3/4"	7.6	0~6	80 × 68 × 111	SLDF-20SL-AC220V		
SLDF-25SL	25	1"	12	0~6	107 × 82 × 117	SLDF-25SL-AC220V		
SLDF-32SL	32	1 1/4"	22	0~6	140 × 112 × 160	SLDF-32SL-AC220V		
SLDF-40SL	40	1 1/2"	30	0~6	140 × 112 × 170	SLDF-40SL-AC220V		
SLDF-50SL	50	2"	48	0~6	159 × 130 × 190	SLDF-50SL-AC220V		
SLDF-65JF	65	Flange	53	0.3~8	256 × 185 × 318	SLDF-65JF-AC220V		SS304
SLDF-80JF	80		82	0.3~8	277 × 200 × 327	SLDF-80JF-AC220V		
SLDF-100JF	100		129	0.3~8	350 × 220 × 345	SLDF-100JF-AC220V		
SLDF-150JF	150		292	0.3~8	450 × 285 × 400	SLDF-150JF-AC220V		
SLDF-65CF	65		53	0.3~8	258 × 185 × 330	SLDF-65CF-AC220V		Cast iron
SLDF-80CF	80		82	0.3~8	280 × 200 × 330	SLDF-80CF-AC220V		
SLDF-100CF	100		128	0.3~8	354 × 220 × 390	SLDF-100CF-AC220V		
SLDF-125CF	125		222	0.3~8	430 × 250 × 470	SLDF-125CF-AC220V		
SLDF-150CF	150		292	0.3~8	454 × 285 × 480	SLDF-150CF-AC220V		
SLDF-200CF	200		513	0.3~8	573 × 340 × 590	SLDF-200CF-AC220V		

SLDF series flange solenoid valve dimension table

Model	PN=1.6MPa GB/T9113.1-2000 flange connection dimension (mm)								
	DN	L	D	H	K	d	C	f	n-φ
SLDF-65JF	65	256	185	318	145	118	20	3	4-φ18
SLDF-80JF	80	277	200	327	160	132	20	3	8-φ18
SLDF-100JF	100	350	220	345	180	156	22	3	8-φ18
SLDF-150JF	150	450	285	400	240	211	24	3	8-φ22
SLDF-65CF	65	258	185	330	145	118	20	3	4-φ18
SLDF-80CF	80	280	200	330	160	132	20	3	8-φ18
SLDF-100CF	100	354	220	390	180	156	22	3	8-φ18
SLDF-125CF	125	430	250	470	210	186	22	3	8-φ18
SLDF-150CF	150	454	285	480	240	211	24	3	8-φ22
SLDF-200CF	200	573	340	590	295	266	24	3	12-φ22

Encapsulation type explosion-proof coil solenoid valve

The solenoid is encapsulation type low power explosion-proof type. solenoid valve is slowly heating-up, strong attraction, energy saving, explosion-proof, medium temperature -10°C ~ +80°C.



Explosion-proof solenoid valve production licence

Low-temperature explosion-proof coil certificate

Chinese CCC certificate

EU certificate

Chinese certificate

production licence: XK06-014-01404 explosion-proof qualification: GYB17.1593X explosion-proof degree: Ex mb II C T6 Gb
 environment temperature: -20°C ~ +50°C
 connection: cable wire, 1.5M by default, length can be customized

explosion-proof coil (EU patent: 003866250-0001)

solenoid model:

14.521AEx: voltage: AC220V 5VA, AC110V 5VA, AC24V 6VA 14.520AEx: voltage: DC24V 4W, DC12V 3W
 1621BEx: voltage: AC220V 7VA, AC110V 9VA, AC24V 5VA 1620BEx: voltage: DC24V 5W, DC12V 3W
 1621CEX: voltage: AC220V 8VA, AC110V 9VA, AC24V 7VA 1620CEX: voltage: DC24V 8W, DC12V 4W



explosion-proof solenoid 14.521AEx, 14.520AEx (hole diameter 14.7mm)

explosion-proof solenoid 1621BEx, 1620BEx (hole diameter 16.2mm)

explosion-proof solenoid 1621CEX, 1620CEX (hole diameter 16.2mm)

Explosion-proof coil solenoid valve technical parameters

Working medium: air, liquid, oil (viscosity ≤ 20CST)

Working pressure: detail see specification table

Valvebody material: brass, SS, cast iron, UPVC/CPVC, nylon PA66

Characteristic: slowly heating-up, strong attraction, energy saving, explosion-proof

Medium temperature: -10°C ~ +80°C

Environment temperature: -20°C ~ +50°C

Order code

Model	Orifice	Valvebody	K	interface	Ex	Sealing material	Voltage
2W, 2W-SL	030:3mm	Blank:Brass	blank:NC	Blank:G thread	Encapsulation	Blank:NBR	AC220V
DFD, YSA	15:15mm	J:SS	K:NO	T:NPT thread	type	E:EPDM	AC110V
RSP, RSP-A	40:40mm	C:Cast iron		F:Flange	Explosion-proof	V:VITON	DC24V
YSI, YSE	65:65mm	PU:UPVC		H:Loose joint	solenoid	PTFE	DC12V
ZCF-PU/PC	100:100mm	PC:CPVC					

Solenoid model 14.520aex, 14.521aex: valve model options

2W series direct acting: DN2.5~10mm, size: 2W-025, 030, 040, 050, 060Ex, 2W-A-10Ex, detail see catalog page 08~10.
 DFD series pilot operated: DN10~100mm, size: DFD-15, 20, 25, 32, 40, 50, 65, 80, 100Ex, detail see catalog page 19~27.
 RSP series pilot operated: DN10~50mm, size: RSP-A-10Ex, RSP-15, 20, 25, 32, 40, 50Ex, detail see catalog page 01~07.
 YSA series pilot operated: DN15~50mm, size: YSA-15, 20, 25, 32, 40, 50Ex, detail see catalog page 33~34.
 YSE series direct acting: DN1~4mm, size: YSE-010, YSE-015, 020, 025, 030, 040Ex, detail see catalog page 46.
 YSE series pilot operated: DN10~25mm, size: YSE-10, 15, 20, 25Ex, detail see catalog page 46.
 YSI series pilot operated: DN15~50mm, size: YSI-15, 20, 25, 32, 40, 50Ex, detail see catalog page 47~48.

Encapsulation type explosion-proof coil solenoid valve

solenoid model 14.520AEx, 14.521AEx: valve model samples



solenoid model 1620BEx, 1621BEx: valve model options

2W series semi direct acting: DN10~20mm, size: 2W-10Ex, 2W-15Ex, 2W-20Ex, detail see catalog page 11~18.
 2W-SL series semi direct acting: Dn15~20mm, size: 2W-15SLEx, 2W-20SLEx, detail see catalog page 31~32.

solenoid model 1620BEx, 1621BEx: valve model samples



solenoid model 1620CEX, 1621CEX: valve model options

2W series semi direct acting, DN25~50mm, size: 2W-25Ex, 2W-32Ex, 2W-40Ex, 2W-50Ex, detail see catalog page 11~18.
 2W-SL series semi direct acting: DN25~50mm, size: 2W-25SLEx, 2W-32SLEx, 2W-40SLEx, 2W-50SLEx, detail see catalog page 31~32.
 DFD series pilot operated: DN125~200mm, size: DFD-125CFEx, DFD-150CFEx, DFD-200CFEx, detail see catalog page 27~28.
 ZCF-PU/PC series pilot operated, size: ZCF-PU/PC-15Ex, ZCF-PU/PC-20Ex, ZCF-PU/PC-25Ex, detail see catalog page 64~65

solenoid model 1620CEX, 1621CEX: valve model samples



ZCSB series 2-way explosion-proof solenoid valve



Production license



Explosion-proof solenoid valves certification



Explosion-proof certification coil

Working medium : Steam, liquid, gas, oil ≤20CST

Medium temperature: -10℃~80℃ and 0℃~180℃

Working pressure: 0~16 bar max

Environmental temperature: -10℃~+50℃ Relative humidity ≤85%

ValveBody material: Brass, Stainless steel SS304, Cast iron

Explosion proof structure: Flameproof (ExdIIBT4) , Electrical interface: M22x1.5

Coil parameters: AC110V, AC220V, AC240V, DC12V, DC 24V, Flameproof IP54
Encapsulation type, IP65, 1 meter-long cable wire

Main valve configuration

Normal type	DF explosion-proof product model ZCSB - D	Heat-resistant type	PS explosion-proof product model ZCSB - P
Main valve type	2W explosion-proof product model ZCSB - W	Main valve type	RSPS explosion-proof product model ZCSB - R
	ZCM explosion-proof product model ZCSB - M		ZCZ explosion-proof product model ZCSB - Z
			ZQDF explosion-proof product model ZCSB - Q

Warning ● When you place an order please specify the operation and installation conditions of the explosion-proof solenoid valve.

Matches ● With Germany Nass coil.

Order code

ZCSB — **D** — **15** — **J** — **F** — **AC220V**

Product model	M: ZCM D: DF W: 2W	Orifice size 15=15mm	Blank: Brass J: Stainless steel C: Cast iron	Blank: G thread F: Flange connection T: The NPT thread	Working voltage
---------------	--------------------------	-------------------------	--	--	-----------------

Specification parameter table

Product model	Thread	Orifice size mm	Cv value	Medium temperature	Working Pressure (bar)	Remarks
ZCSB-10	G3/8"	13	2.1	Flameproof 0℃ ~ 180℃	semi-direct acting 0~10 bar	Work pressure, medium temperature, about the valve body material please see the main valve specification parameter table sample
ZCSB-15	G1/2"	13	4.5			
ZCSB-20	G3/4"	18	7			
ZCSB-25	G1"	23	12			
ZCSB-32	G1 1/4"	32	22			
ZCSB-40	G1 1/2"	40	30			
ZCSB-50	G2"	50	48	Encapsulation type -10℃ ~ 80℃ Valve surface temperature ≤130℃	pilot operated 0.4~16bar	
ZCSB-65CF	Flange connection	65	55			
ZCSB-80CF		80	85			
ZCSB-100CF		100	130			
ZCSB-125CF		125	222			
ZCSB-150CF		150	292			
ZCSB-200CF		200	513			

ZCSB series 2-way Explosion-Proof Solenoid Valve



ZCSB(W)-20(Encapsulation type)

Main valve configuration: 2W series
Technical parameters:
see P12 2W parameter table



ZCSB(D)-25(Flameproof)

Main valve configuration: DF series
Technical parameters:
see P20 DF parameter table



ZCSB(R)-40(Encapsulation type)

Main valve configuration: RSPS series
Technical parameters:
see P41 RSPS parameter table



ZCSB(W)-25J(Flameproof)

Main valve configuration: 2W series
Technical parameters:
see P12 2W parameter table



ZCSB(R)-25J(Flameproof)

Main valve configuration: RSPS series
Technical parameters:
see P41 RSPS parameter table



ZCSB(Z)-25(Flameproof)

Main valve configuration: ZCZ series
Technical parameters:
see ZCZ parameter table



ZCSB(P)-25F(Flameproof)

Main valve configuration: PS series
Technical parameters:
see P36 PS parameter table



ZCSB(Q)-25(Flameproof)

Main valve configuration: ZQD series
Technical parameters:
see ZQDF parameter table



ZCSB(D)-80CF(Flameproof)

Main valve configuration: DF series
Technical parameters:
see P20 DF parameter table

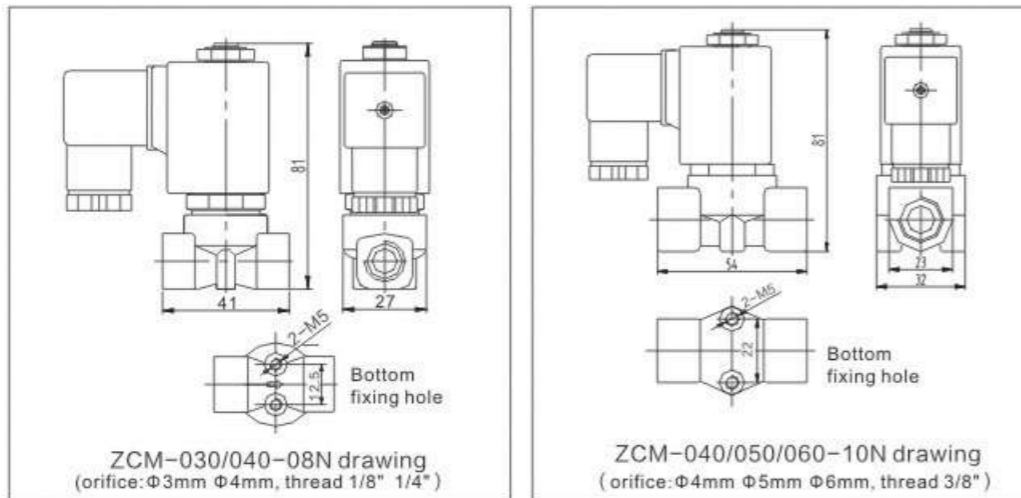
ZCM series 2-way gas solenoid valve 1/4" ~ 2" DN3~100mm



Working medium: gas, low pressure air
Medium temperature: -5~60°C
Working pressure: 0~4 bar (details see specification table),
Working type: NC: DN3~6mm,
 ZCM-10Z~25Z is direct acting, guarantee the flow when low pressure 30KPa
 DN 10~100 semi direct acting, NO: DN3~50mm
Valvebody material: Brass, SS304, cast iron
Interface: G thread, NPT thread, flange
Sealing material: NBR
Working voltage: AC220~240V, AC110V, 50/60Hz, DC24V/12V DN3~6, AC 22VA, DC 13W,
 DN15~25mm, AC 20VA, DC 20W, DN32~50mm, AC 30VA, DC 38W, DN65~100mm, AC 50VA, DC 31W
Options:
 Sealing materia: VITON, Rc thread
 Explosion-proof coil: Ex mb II c T6 Gb

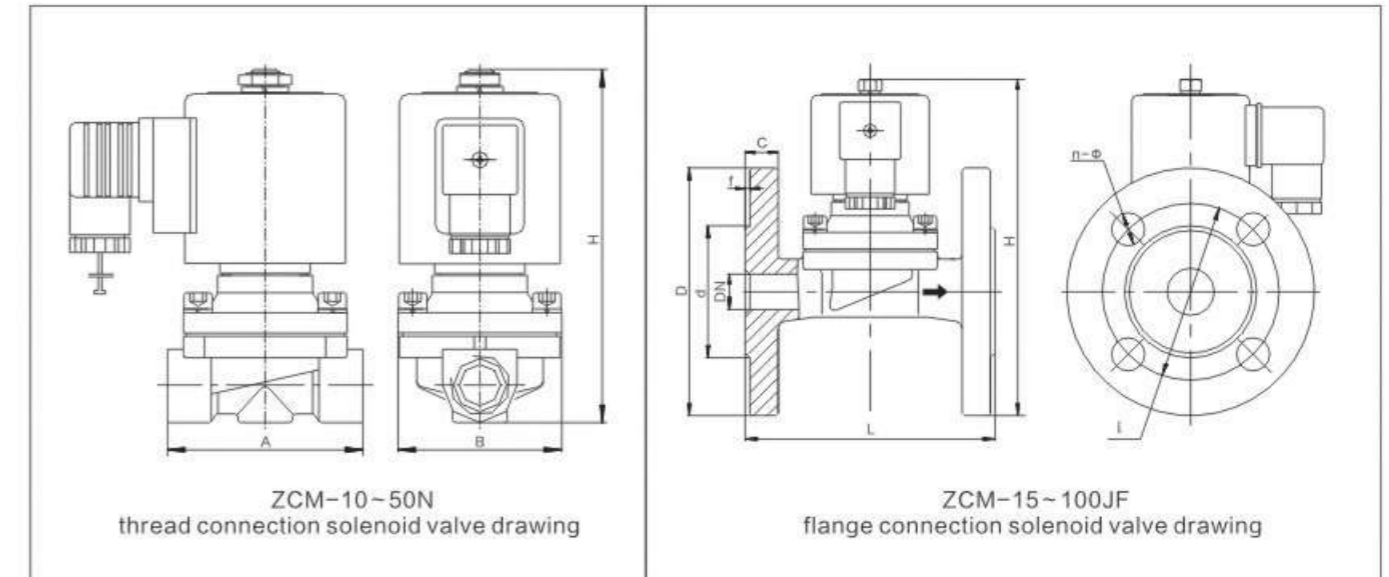
Order code

ZCM	Orifice	J	N	K	F	V	Voltage
Model	030:3mm 040:4mm 050:5mm 40:40mm 50:50mm 65:65mm 80:80mm 100:100mm	Blank:Brass J:SS304 C:Cast iron	Blank:Iron coil N:Plastic coil Ex:Encapsulated Ex-proof coil	Blank:NC K:NO	Blank:G thread T:NPT thread F:flange	Blank:NBR V:VITON	AC220V AC110V DC24V



ZCM series 2-way gas solenoid valve

ZCM series semi direct acting gas solenoid valve drawing



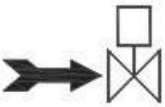
ZCM series flange connection solenoid valve dimension table

Model	PN=1.6MPa GB/T9113.1-2000 flange connection dimension (mm)								
	DN	L	D	H	K	d	C	f	n-Φ
ZCM-15JF	15	106	95	141	65	46	14	2	4-Φ14
ZCM-20JF	20	106	105	143	75	56	16	2	4-Φ14
ZCM-25JF	25	135	115	166	85	65	16	3	4-Φ14
ZCM-32JF	32	142	140	204	100	76	18	3	4-Φ18
ZCM-40JF	40	150	150	211	110	84	18	3	4-Φ18
ZCM-50JF	50	184	165	227	125	99	20	3	4-Φ18
ZCM-65JF	65	256	185	318	145	118	20	3	4-Φ18
ZCM-80JF	80	277	200	327	160	132	20	3	8-Φ18
ZCM-100JF	100	350	220	345	180	156	22	3	8-Φ18
ZCM-40CF	40	170	150	215	110	84	18	3	4-Φ18
ZCM-50CF	50	200	165	240	125	99	20	3	4-Φ18
ZCM-65CF	65	258	185	330	145	118	20	3	4-Φ18
ZCM-80CF	80	280	200	330	160	132	20	3	8-Φ18
ZCM-100CF	100	354	220	390	180	156	22	3	8-Φ18

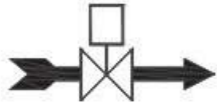
ZCM series 2-way gas solenoid valve

NC solenoid valve ON/OFF status figure

Power off: close

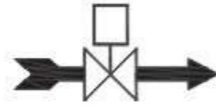


Power on: open

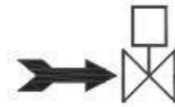


NO solenoid valve ON/OFF status figure

Power off: open



Power on: close



ZCM series solenoid valve specification table

Model	Orifice size (mm)	Interface size	Cv	Working pressure (bar)		Solenoid valve length × width × height A × B × C (mm)	Normal order code	ValveBody material	
				AC220V	DC24V				
ZCM-030-08N	3	1/4"	0.25	0~4	0~4	41 × 30 × 75	ZCM-030-08N-AC220V	brass SS304	
ZCM-040-08N	4	1/4"	0.35	0~4	0~4	41 × 30 × 75	ZCM-040-08N-AC220V		
ZCM-040-10N	4	3/8"	0.35	0~4	0~4	54 × 32 × 81	ZCM-040-10N-AC220V		
ZCM-050-10N	5		0.6	0~3	0~3	54 × 32 × 81	ZCM-050-10N-AC220V		
ZCM-060-10N	6		0.7	0~3	0~3	54 × 32 × 81	ZCM-060-10N-AC220V		
ZCM-10Z(direct acting)	16	3/8"	2.1	0~0.3	0~0.3	68 × 56 × 117	ZCM-10Z-AC220V		
ZCM-15Z(direct acting)	16	1/2"	4.5	0~0.3	0~0.3	68 × 56 × 117	ZCM-15Z-AC220V		
ZCM-20Z(direct acting)	20	3/4"	7.5	0~0.3	0~0.3	73 × 56 × 123	ZCM-20Z-AC220V		
ZCM-25Z(direct acting)	25	1"	12	0~0.2	0~0.2	100 × 74 × 135	ZCM-25Z-AC220V		
ZCM-10N	16	3/8"	2.1	0~4	0~4	68 × 56 × 117	ZCM-10N-AC220V		
ZCM-15N	16	1/2"	4.5	0~4	0~4	68 × 56 × 117	ZCM-15N-AC220V		
ZCM-20N	20	3/4"	7.5	0~4	0~4	73 × 56 × 123	ZCM-20N-AC220V		
ZCM-25N	25	1"	12	0~4	0~4	100 × 74 × 135	ZCM-25N-AC220V		
ZCM-32N	32	1 1/4"	22	0~2	0~2	110 × 85 × 154	ZCM-32N-AC220V		
ZCM-40N	40	1 1/2"	30	0~2	0~2	120 × 90 × 162	ZCM-40N-AC220V		
ZCM-50N	50	2"	48	0~2	0~2	185 × 112 × 185	ZCM-50N-AC220V		
ZCM-15JFN	18	Flange	7.2	0~4	0~4	106 × 95 × 141	ZCM-15JFN-AC220V		SS304
ZCM-20JFN	18		7.2	0~4	0~4	106 × 105 × 143	ZCM-20JFN-AC220V		
ZCM-25JFN	25		12	0~4	0~4	135 × 115 × 166	ZCM-25JFN-AC220V		
ZCM-32JFN	32		22	0~2	0~2	142 × 140 × 204	ZCM-32JFN-AC220V		
ZCM-40JFN	40		30	0~2	0~2	150 × 150 × 211	ZCM-40JFN-AC220V		
ZCM-50JFN	50		48	0~2	0~2	184 × 165 × 227	ZCM-50JFN-AC220V		
ZCM-65JF	65		55	0~2	0~2	256 × 185 × 318	ZCM-65JF-AC220V		
ZCM-80JF	80		85	0~2	0~2	277 × 200 × 327	ZCM-80JF-AC220V		
ZCM-100JF	100		129	0~2	0~2	350 × 220 × 345	ZCM-100JF-AC220V		
ZCM-40CFN	40		30	0~2	0~2	170 × 150 × 215	ZCM-40CFN-AC220V	Cast iron	
ZCM-50CFN	50	48	0~2	0~2	200 × 165 × 240	ZCM-50CFN-AC220V			
ZCM-65CF	65	55	0~2	0~2	258 × 185 × 330	ZCM-65CF-AC220V			
ZCM-80CF	80	85	0~2	0~2	280 × 200 × 330	ZCM-80CF-AC220V			
ZCM-100CF	100	129	0~2	0~2	354 × 220 × 390	ZCM-100CF-AC220V			

Note: the large caliber ZCM-10Z, ZCM-15Z, ZCM-25Z in the table is dedicated to ultra-low pressure gas and natural gas, water. Action type is direct acting.

ZCF series 2-way anti-corrosive solenoid valve 1/4" ~ 1"

Working medium: Corrosive (liquid, gas)

Medium temperature: -10°C~80 °C

Working pressure: 0~4 bar(see table below)

Working type: direct acting(NC, NO)

Valvebody material: PTFE

Sealing material: VITON

Interface thread: G thread (standard)

Working voltage: ZCF-2~8: AC220~240V, AC110V 50/60Hz 6VA, DC24V 5W(NC), NO match ES 05-450A

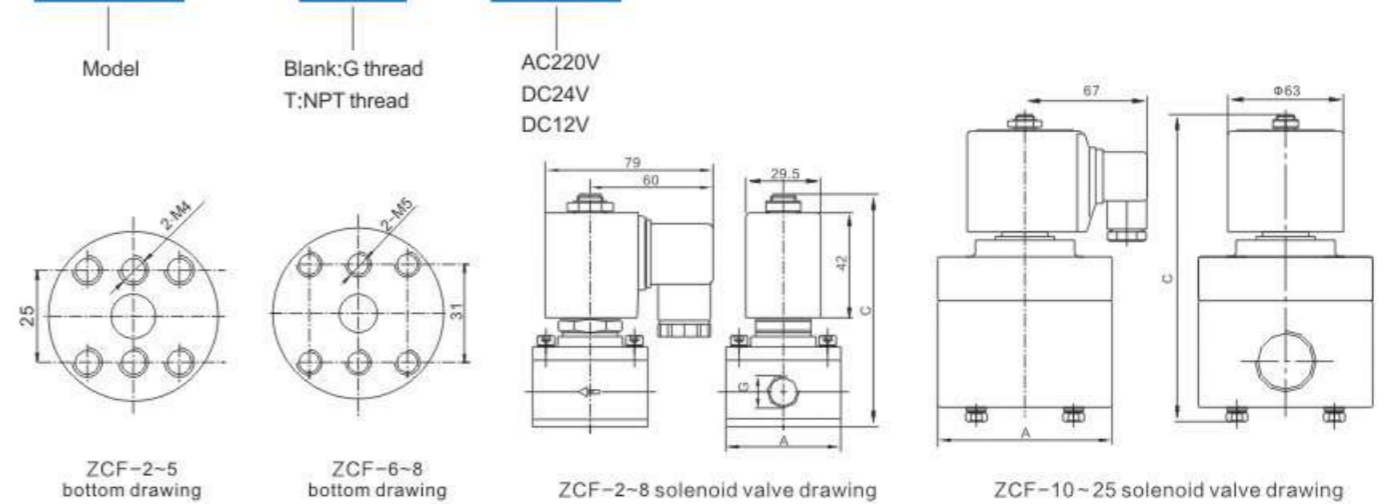
Can be replaced with explosion-proof coils

ZCF-10~25: AC220~240V, AC110V 50/60Hz 9VA, DC24V 8W



Order code

ZCF-25 — T — Voltage



ZCF series solenoid valve specification table

Model	Orifice (mm)	Interface	Cv	Working pressure (bar)		A × C (mm)	Normal order code	Weight (Kg)
				NC	NO			
ZCF-2	2	1/4"	0.1	0~4	0~3	φ46 × 93	ZCF-2-AC220V	0.41
ZCF-3	3		0.2	0~3	0~3		ZCF-3-AC220V	0.41
ZCF-4	4		0.3	0~2.5	0~1.5		ZCF-4-AC220V	0.41
ZCF-5	5		0.4	0~2	0~1.5		ZCF-5-AC220V	0.41
ZCF-6	6		0.65	0~1	0~0.5		φ54 × 96	ZCF-6-AC220V
ZCF-8	8	0.95	0~1	0~0.5	ZCF-8-AC220V	0.53		
ZCF-10	11	3/8"	3.3	0~2	φ69 × 125	ZCF-10-AC220V	1.6	
ZCF-15	11	1/2"	3.3	0~2		ZCF-15-AC220V	1.6	
ZCF-20	11	3/4"	3.3	0~1	φ72 × 135	ZCF-20-AC220V	1.8	
ZCF-25	11	1"	3.3	0~1	φ72 × 150	ZCF-25-AC220V	1.8	

ZCF-5JC series 3-way anti-corrosive solenoid valve



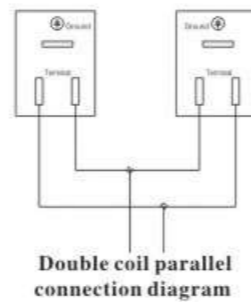
A type: 2 inlets 1 outlet (mixed type)
(port 2, 3 inlet, port 1 outlet)

B type: 1 inlet 1 outlet (Commutative type)
(port 1 inlet, port 2 NO port, port 3 outlet)

C type: 1 inlet 2 outlets (diversion type)
(port 1 inlet, port 2, 3 outlet)

Working medium: corrosive (liquid, air)
Working pressure: see table below
Working voltage: A/C type: AC220/110V 6VA, DC24V 5W
 B type: AC220/110V 8VA, DC24V 6W IP65, H degree.
Working type: 2 inlets 1 outlet (mixed type), 1 inlet 1 outlet (commutative type)
 1 inlet 2 outlets (diversion type)
Valvebody material: PTFE
Options: LED light connector

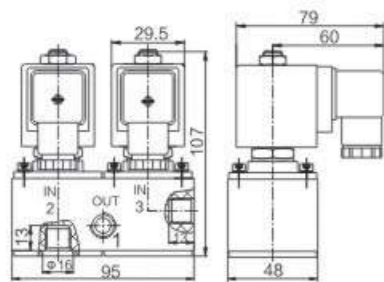
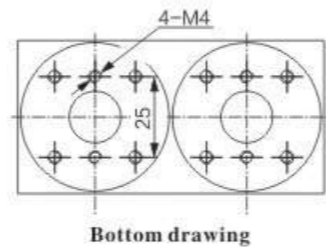
Medium temperature: -10°C ~ 80°C
Interface type: G1/4"
Sealing material: VITON



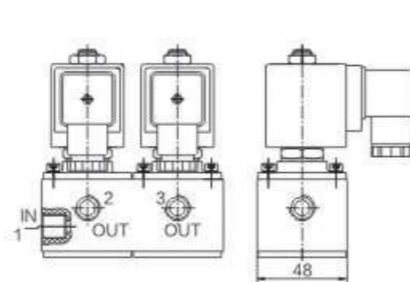
Order code

If order ZCF-5JC, G thread, A type, AC220V, order code is: ZCF-5JC - A - AC220V
 If order ZCF-5JC, G thread, B type, DC24V, order code is: ZCF-5JC - B - DC24V
 If order ZCF-5JC, G thread, C type, AC110V, order code is: ZCF-5JC - C - AC110V

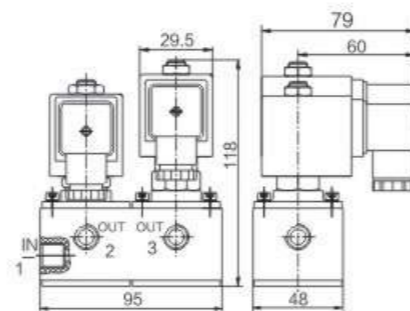
ZCF-5JC — **T** — **Working type** — **Working voltage**
 Model: Blank: G thread, T: NPT thread
 Working type: A: mixed type, B: Commutative type, C: diversion type
 Working voltage: AC220V, AC110V, DC24V



A type



B type



C type

ZCF-5JC series solenoid valve specification table

Model	Orifice (mm)	Interface G	Cv	Pressure (bar)	working type
ZCF-5JC-A	5	1/4"	0.4	0-2	A type: fluid from 2 inlets are mixed, and go out to 1 outlet
ZCF-5JC-B	5	1/4"	0.4	0-1.2	B type: port 1 inlet, port 2 NO port, port 3 outlet
ZCF-5JC-C	5	1/4"	0.4	0-2	C type: fluid from 1 inlet, and split-flow to 2 outlets

ZCF-P series 2-way anti-corrosive solenoid valve 1/2" ~ 2"

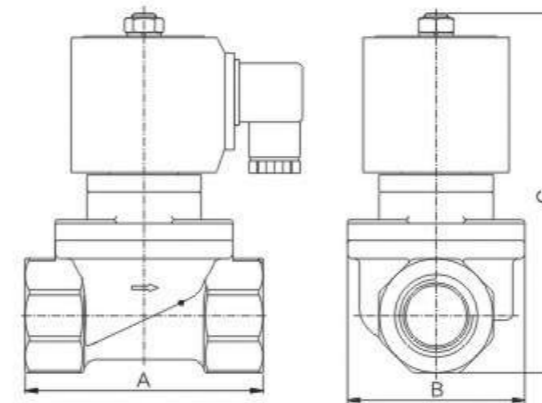
Working medium: liquid (acid, alkali), air
Medium temperature: -5 ~ 60°C
Environment temperature: -10 ~ 50°C
Working pressure: 0 ~ 6 bar
Working type: pilot operated (NC)
Valvebody material: UPVC / CPVC
Sealing material: VITON
Interface: G thread NPT thread
Working voltage: ES coil AC220 ~ 240V, 50/60Hz; 9VA
 DC24V, 8W, IP65 H degree



Order code

ZCF-P — **U** — **Thread** — **T** — **K** — **Voltage**
 Model: PU: UPVC, PC: CPVC
 Thread: 15: 1/2", 20: 3/4", 25: 1", 32: 1/4", 40: 1/2", 50: 2"
 T: Blank: G thread, T: NPT thread
 K: Blank: NC, K: NO
 Voltage: AC220V, AC110V, DC24V

ZCF-PU-15-50 series anti-corrosive solenoid valve drawing



Model	Orifice (mm)	Interface	Pressure (bar)	
			NC	NO
ZCF-PU-2	2	1/4"	0-4	0-3
ZCF-PU-3	3		0-3	0-3
ZCF-PU-4	4		0-2.5	0-1.5
ZCF-PU-5	5		0-2	0-1.5
ZCF-PU-6	6		0-1	0-0.5
ZCF-PU-8	8		0-1	0-0.5
ZCF-PU-10	10	3/8"	0-2	

ZCF-P series anti-corrosive solenoid valve specification table

Model	Orifice size (mm)	Interface size	Cv	Working pressure (bar)		Dimension A x B x C (mm)	NC Normal order code	Weight (Kg)
				NC	NO			
ZCF-PU-15	15	1/2"	4.8	0.3-6	0.3-5	74 x 63 x 138	ZCF-PU-15-AC220V	1.1
ZCF-PU-20	20	3/4"	7.6	0.3-6	0.3-5	78 x 63 x 138	ZCF-PU-20-AC220V	1.1
ZCF-PU-25	25	1"	11	0.3-6	0.3-5	98 x 73 x 148	ZCF-PU-25-AC220V	1.2
ZCF-PU-32	32	1 1/4"	24	0.3-6	0.3-5	130 x 95 x 167	ZCF-PU-32-AC220V	1.5
ZCF-PU-40	40	1 1/2"	29	0.3-6	0.3-5	138 x 95 x 175	ZCF-PU-40-AC220V	1.5
ZCF-PU-50	50	2"	45	0.3-6	0.3-5	172 x 155 x 225	ZCF-PU-50-AC220V	2.6

ZCF-P-F/H series 2-way flange and loose joint anti-corrosive solenoid valve DN15~40mm

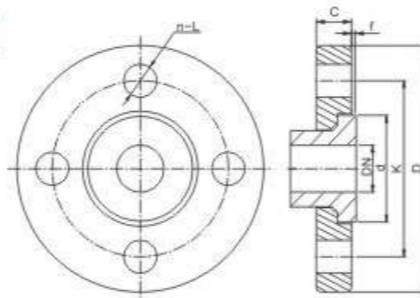
Working medium: liquid (acid, alkali), air
Medium temperature: -5~60°C
Environment temperature: -10~50°C
Working pressure: 0.3~6 bar
Working type: pilot operated (NC)
Valvebody material: UPVC, CPVC
Sealing material: VITON
Connection type: flange, loose joint
Coil parameters: slowly heating-up ES coil
 AC220-240V, AC110V, 50/60Hz, 9VA, DC24V 8W, IP65, H degree
 Other voltage can be customized



Order code



The valve body in the following table is UPVC model ZCF-PU
 If the CPVC material is required, the model is ZCF-PC



Flange drawing

ZCF-PU-F flange series anti-corrosive solenoid valve specification table

Model	Orifice (mm)	Cv	Working pressure (bar)		Length (mm)	Height (mm)	PN=1.6MPa flange size (GB/T9113.1-2000)					
			NC	NO			D	K	d	C	f	n-Φ
ZCF-PU-15F	15	4.8	0.3~6	0.3~5	126	162	95	65	46	14	2	4-Φ14
ZCF-PU-20F	20	7.6	0.3~6	0.3~5	133	175	105	75	56	16	2	4-Φ14
ZCF-PU-25F	25	11	0.3~6	0.3~5	165	180	115	85	65	16	2	4-Φ14
ZCF-PU-32F	32	24	0.3~5	0.3~5	198	210	140	100	76	18	2	4-Φ18
ZCF-PU-40F	40	29	0.3~5	0.3~5	215	220	150	110	84	18	2	4-Φ18
ZCF-PU-50F	50	45	0.3~5	0.3~5	259	257	165	125	99	20	2	4-Φ18

ZCF-PU-H loose joint series anti-corrosive solenoid valve specification table

Model	Orifice (mm)	Cv	Working pressure (bar)		Length (mm)	Width (mm)	Height (mm)
			NC	NO			
ZCF-PU-15H	15	4.8	0.3~6	0.3~5	171	63	127
ZCF-PU-20H	20	7.6	0.3~6	0.3~5	186	63	135
ZCF-PU-25H	25	11	0.3~6	0.3~5	221	73	145
ZCF-PU-32H	32	24	0.3~5	0.3~5	254	95	171
ZCF-PU-40H	40	28	0.3~5	0.3~5	281	95	181
ZCF-PU-50H	50	45	0.3~5	0.3~5	335	148	227

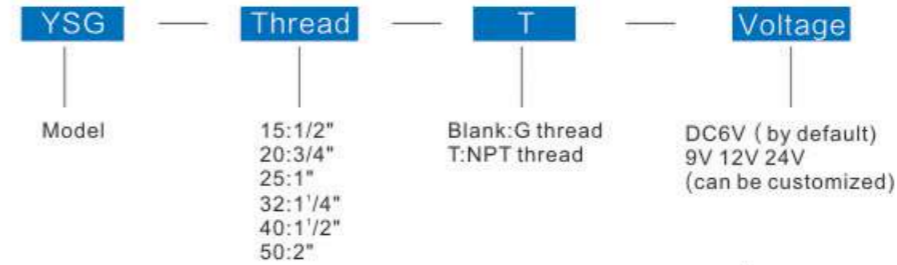
YSG series 2-way bistable latching solenoid valve 1/2" - 3"

Widely used in agriculture automatic irrigation, landscaping, automatic irrigation, drip irrigation and other automatic control.
 Can also be used for other gases, Hydraulic Control

Working medium: water, liquid, air
Medium temperature: -10~80°C
Working type: direct current pulse
Valvebody material: reinforced nylon PA66(German)
Sealing material: NBR
Interface: G thread, NPT thread
Working voltage: DC2.5~6.5V, IP67
Coil resistance: 25Ω
Min current: 190mA
Pulse width: ≥10ms



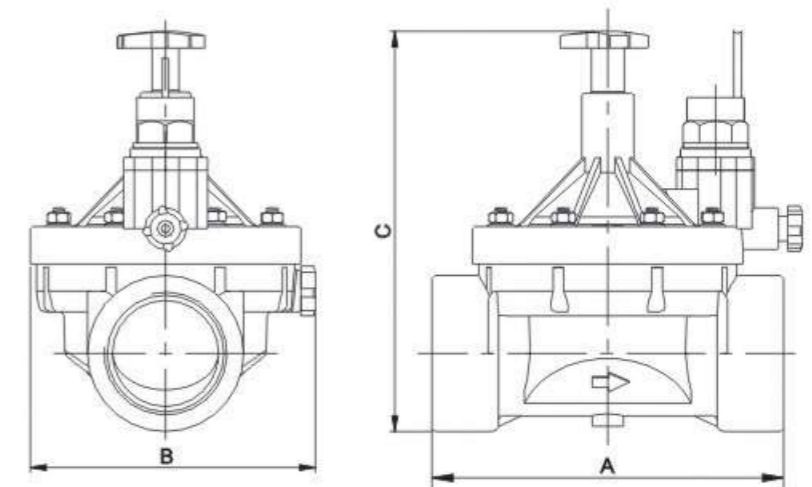
Order code



2-Pin waterproof socket: 09B-1

YSG series drawing

- With a full range of independent water filter can effectively ensure access MediumCleaning, maintenance is simple and convenient.
- With manual switch means in the absence of electricity, the counterclockwise rotation of the manual switch, open the valve.
- DN32 ~ 50 with the product further flow regulating means, according to Requirements regulate the flow size.



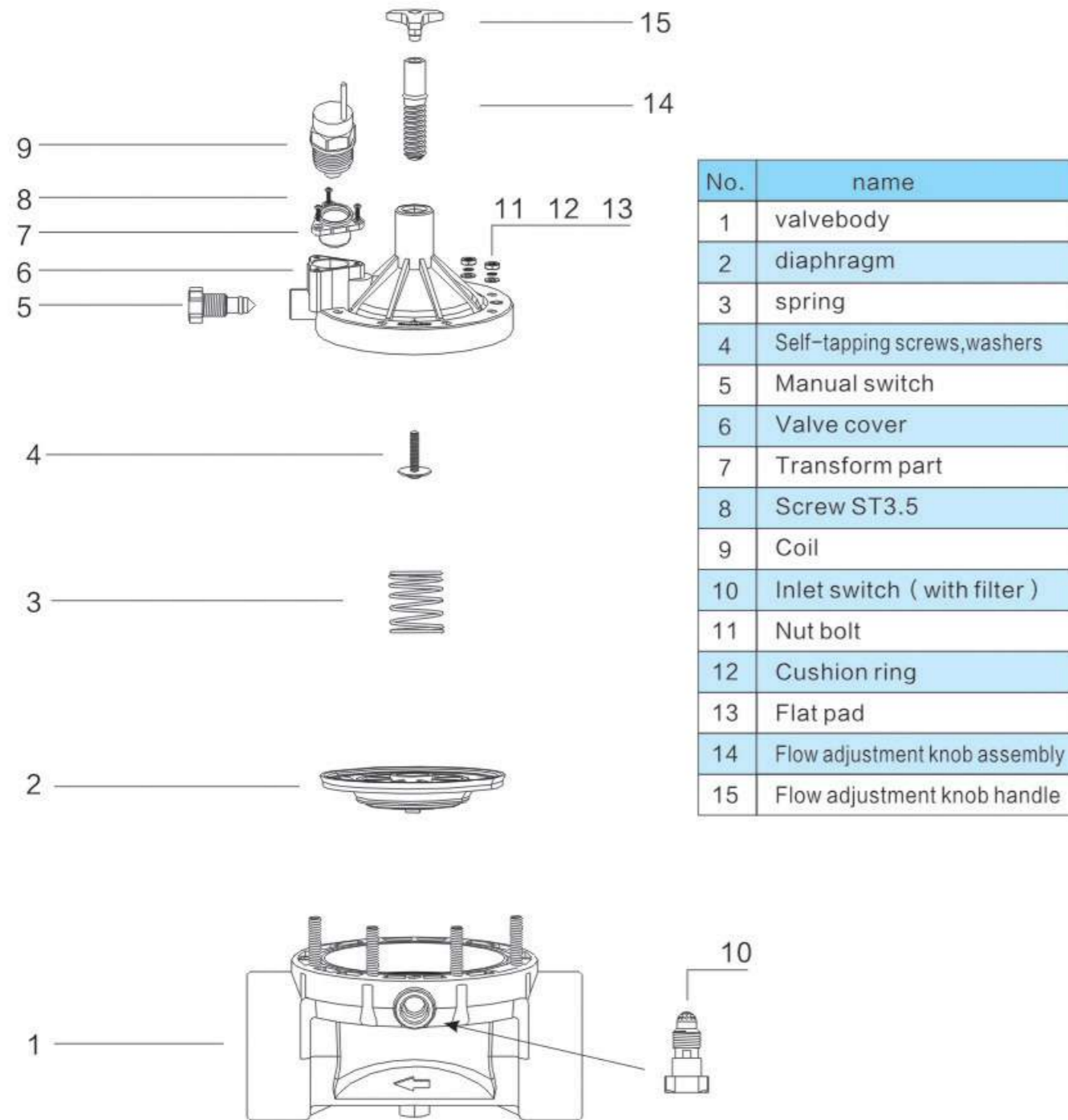
YSG series specification

Model	Orifice (mm)	interface	Cv	Working pressure (bar)		A × B × C (mm)	Normal order code	Weight (Kg)
				air	Water liquid			
YSG-15	15	1/2"	3.5	0.3~8	0.3~8	85 × 73 × 126	YSG-15-DC6V	0.4
YSG-20	20	3/4"	7.6	0.3~8	0.3~8	90 × 73 × 128	YSG-20-DC6V	0.4
YSG-25	25	1"	12	0.3~8	0.3~8	125 × 90 × 148	YSG-25-DC6V	0.4
YSG-32	32	1 1/4"	20	0.3~8	0.3~8	150 × 128 × 173	YSG-32-DC6V	0.7
YSG-40	40	1 1/2"	30	0.3~8	0.3~8	151 × 128 × 176	YSG-40-DC6V	0.8
YSG-50	50	2"	48	0.3~8	0.3~8	170 × 140 × 190	YSG-50-DC6V	1.0
YSG-80	80	3"	80	0.3~6	0.3~6	320 × 195 × 227	YSG-80-DC6V	2.5

YSG series 2-way bistable latching solenoid valve 1/2" ~ 2"

Components:

1. With a full range of independent water filter can effectively ensure access Medium Cleaning, maintenance is simple and convenient. See below No. 10
2. With manual switch means in the absence of electricity, the counterclockwise rotation of the manual switch, open the valve. See below No. 5
3. DN32 ~ 50 with the product further flow regulating means, according to Requirements regulate the flow size. See below No. 14, 15



YSG series large size 2-way bistable latching solenoid valve DN65~ DN200

Widely used in agriculture automatic irrigation, landscaping, automatic irrigation, drip irrigation and other automatic control. Can also be used for other gases, Hydraulic Control

Working medium: water air liquid
Medium temperature: -10~80°C
Working type: direct current pulse type
Valvebody material: SS304, cast iron
Sealing material: NBR
Interface type: flange
Working voltage: DC2.5~6.5V, IP67
Working pressure: 0.3~8bar
Coil resistance: 25Ω
Minimum current: 190mA
Pulse width: ≥10ms



YSG-65JF

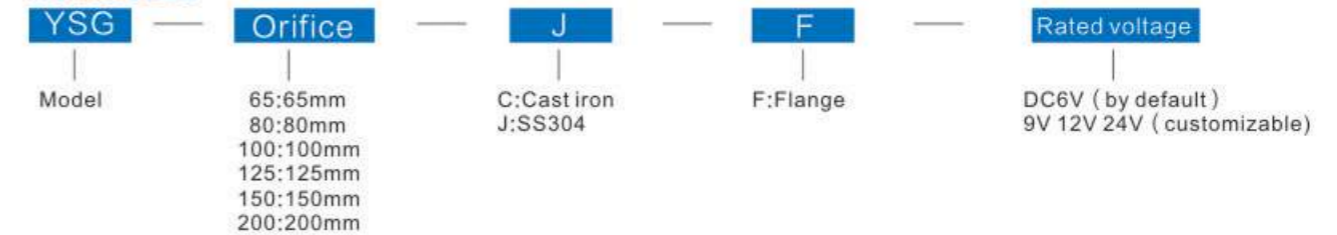


YSG-80CF

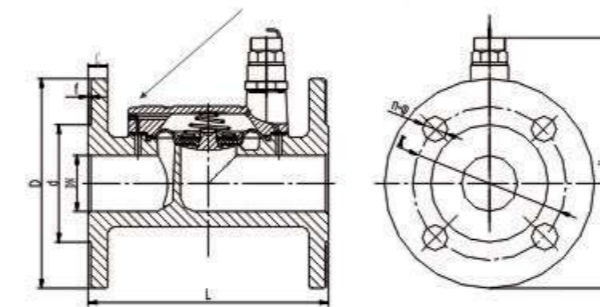
Note: 1. Stainless steel valves DN65 ~ DN150 without filter, unworthy manual switch is required with manual switch can be customized
 2. Cast iron valves DN65 ~ DN200 with filter and manual switch

Cast iron valve into the water filter and manual switch means as standard

Order code



Balancing hole with a filter device The media to ensure that the valve chamber cavity clean



Large-size bistable latching solenoid valve Dimensions



2-Pin waterproof socket:09B-1

Large-size solenoid valve Dimensions table

Model	L	D	H	K	d	C	f	Φ	Valvebody material	Weight(Kg)
YSG-65JF	256	185	248	145	118	20	3	4-Φ18	SS304	12.3
YSG-80JF	277	200	268	160	132	20	3	8-Φ18		15.1
YSG-100JF	350	220	290	180	156	22	3	8-Φ18		23
YSG-150JF	450	285	402	240	211	24	3	8-Φ22		62
YSG-65CF	259	185	277	145	118	20	3	4-Φ18	Cast iron	15
YSG-80CF	278	200	289	160	132	20	3	8-Φ18		17
YSG-100CF	350	220	316	180	156	22	3	8-Φ18		23
YSG-125CF	425	250	398	210	186	22	3	8-Φ18		54.5
YSG-150CF	450	285	430	240	211	24	3	8-Φ22	55	
YSG-200CF	560	340	516	295	266	24	3	12-Φ22	112	
YSG-80F	340	200	274	160	132	20	3	12-Φ18	PA66	3.2

RSZ series 2-way bistable latching solenoid valve 3/8" ~ 2"

Widely used in water-saving irrigation, automatic induction sanitary ware, landscaping, automatic irrigation, drip irrigation and other automation control.

Working medium: air, water, liquid
Medium temperature: -10~80°C
Working type: direct current pulse type
Valvebody material: Brass, SS316
Sealing material: NBR
Interface: G thread, NPT thread
Working voltage: DC2.5~6.5V, IP67
Coil resistance: 25Ω
Min current: 190mA
Pulse width: ≥10ms



RSZ-20

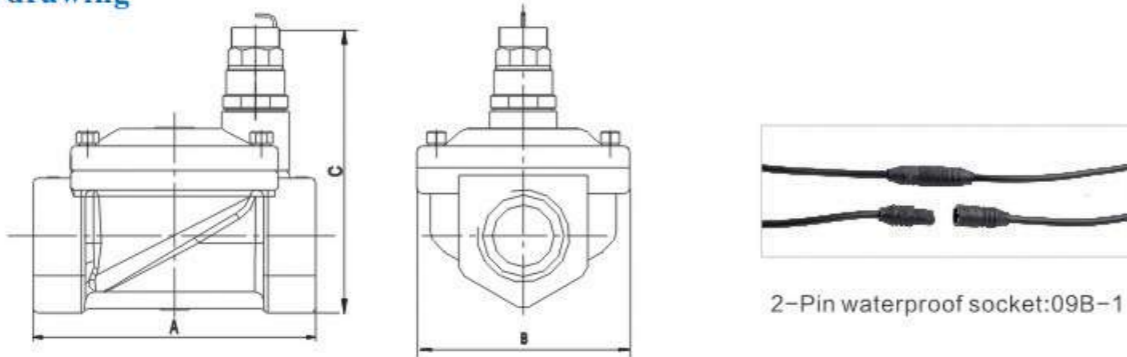


RSZ-40

Order code

RSZ	Thread	J	T	Voltage
Model	10:3/8" 15:1/2" 20:3/4" 25:1" 32:1 1/4" 40:1 1/2" 50:2"	Blank:Brass J:SS316	Blank:G thread T:NPT thread	DC6V(by default) 9V 12V 24V can be customized

RSZ series drawing



RSZ series specification

Model	Orifice (mm)	Interface	Cv	Working pressure (bar)	A × B × C (mm)	Normal order code	Weight (Kg)
						Voltage DC6V Brass body, G thread	
RSZ-10	13	3/8"	3.5	0.3~8	66 × 48 × 94	RSZ-10-DC6V	0.5
RSZ-15	13	1/2"	3.5	0.3~8	66 × 48 × 94	RSZ-15-DC6V	0.5
RSZ-20	20	3/4"	7.6	0.3~8	75 × 58 × 100	RSZ-20-DC6V	0.65
RSZ-25	25	1"	12	0.3~8	96 × 69 × 107	RSZ-25-DC6V	1.2
RSZ-32	32	1 1/4"	20	0.3~8	131 × 96 × 132	RSZ-25-DC6V	2.6
RSZ-40	40	1 1/2"	30	0.3~8	131 × 96 × 132	RSZ-40-DC6V	2.4
RSZ-50	50	2"	48	0.3~8	165 × 120 × 147	RSZ-50-DC6V	3.7
RSZ-80	80	3"	82	0.3~6	250 × 195 × 200	RSZ-80-DC6V	11.9

YSZ series 2-way bistable latching solenoid valve 1/4" ~ 2"

Working medium: liquid, water, air, light oil (viscosity ≤ 20cst)
Medium temperature: -10~80°C (NBR sealing)
Working pressure: 0.3~16bar (see below table)
Working type: DN1.5~4 direct acting, DN15~50 pilot operated
Valvebody material: Brass, SS316, PA66
Sealing material: NBR (-10~80°C)
Interface: G thread, NPT thread
Working voltage: DC6V, DC9V, DC12V, DC24V
 4W, 6W, 12W, IP65, H degree

Options:

Sealing material: EPDM (-20~130°C) VITON (-15~120°C)



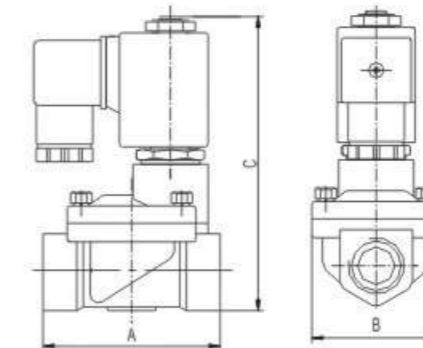
YSZ-10~50



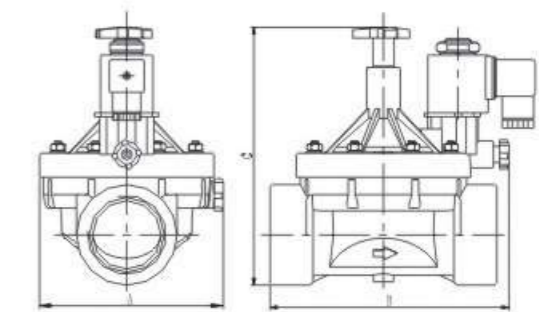
YSZ-15~50SL

Order code

YSZ	Thread	J	T	V	Voltage
Model	10:3/8" 15:1/2" 20:3/4" 25:1" 32:1 1/4" 40:1 1/2" 50:2"	Blank:Brass J:SS316 SL:PA66	Blank:G thread T:NPT thread	Blank:NBR E:EPDM V:VITON	DC24V DC12V DC9V DC6V



YSZ-15~50 solenoid valve drawing



YSZ-15~50SL solenoid valve drawing

YSZ series pilot operated solenoid valve specification table

Model	Orifice (mm)	Interface	Cv	Working pressure (bar)		A × B × C (mm)	Weight (Kg)		
				Air	Water Liquid		Brass	SS	PA66
YSZ-15	14	1/2"	3.5	0.3~16	0.3~12	66 × 48 × 112	0.7	0.6	
YSZ-20	20	3/4"	7.6	0.3~16	0.3~12	75 × 58 × 118	0.8	0.7	
YSZ-25	25	1"	12	0.3~16	0.3~12	96 × 69 × 125	1.3	1.2	
YSZ-32	32	1 1/4"	22	0.3~16	0.3~10	131 × 96 × 125	2.8	2.8	
YSZ-40	40	1 1/2"	30	0.3~16	0.3~10	131 × 96 × 150	2.6	2.6	
YSZ-50	50	2"	48	0.3~16	0.3~10	168 × 128 × 165	3.9	3.6	
YSZ-15SL	15	1/2"	3.5	0.3~7	0.3~7	85 × 73 × 126			0.6
YSZ-20SL	20	3/4"	7.6	0.3~7	0.3~7	90 × 73 × 128			0.6
YSZ-25SL	25	1"	12	0.3~7	0.3~7	125 × 90 × 148			0.6
YSZ-32SL	32	1 1/4"	22	0.3~7	0.3~7	150 × 128 × 173			0.8
YSZ-40SL	40	1 1/2"	30	0.3~7	0.3~7	152 × 128 × 176			0.9
YSZ-50SL	50	2"	48	0.3~7	0.3~7	170 × 140 × 190			1.1

ZK series vacuum solenoid valve DN15~DN100mm



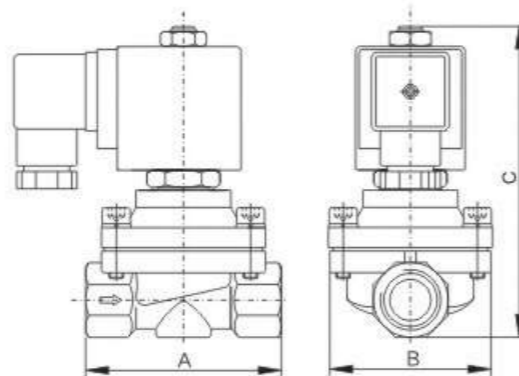
Working medium: water, liquid, air
Working pressure: -1 bar~0 bar
Valve body material: Brass, SS304, cast iron
Interface: G thread, NPT thread, flange
Working voltage: AC220~240V, AC110V 50/60HZ, DC24V/12V, IP65, H degree
Options: LED light connector, ES low temp coil, Encapsulated Ex-proof coil
Notice: ES、Ex coil require solenoid valve medium temperature -10~80°C
ES coil maintain power: normally closed type AC220V 8VA DC24V 6W, detail specification see P86 ES05-450B
Ex coil maintain power: direct acting AC220V 5VA, DC24V 4W, semi direct acting AC220V 9VA, DC24V 8W

Medium temperature: -10 °C ~80°C
Working type: direct acting, semi direct acting
Sealing material: NBR, EPDM, VITON, (standard NBR)

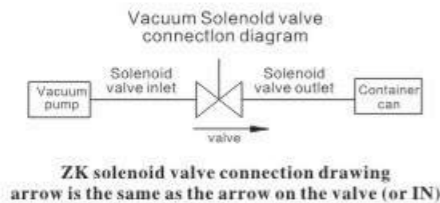
Order code

ZK	Orifice	Thread	T	J	ES	Voltage
Model	025:2.5mm 040:4.0mm 050:5.0mm 20:20mm 25:25mm 32:32mm 40:40mm 50:50mm	06:1/8" 08:1/4" 10:3/8" 15:1/2" 20:3/4" 25:1" 32:1 1/4" 40:1 1/2" 50:2"	Blank: G thread T: NPT thread F: flange type	Blank: Brass J: Stainless steel C: Cast iron	Blank: standard coil ES: low temp coil Ex: Encapsulated Ex-proof coil	AC220V AC110V DC24V DC12V

Cast iron valves and SS304 valves above DN65



ZK-15 ~ 50 drawing



ZK vacuum solenoid valve specification table(mm)

Model	Orifice	Interface	Cv	A	B	C
ZK-025-08	2.5	1/4"	0.2	41	27	81
ZK-030-08	3.0	1/4"	0.25	41	27	81
ZK-040-08	4.0	1/4"	0.3	41	27	81
ZK-050-08	5.0	1/4"	0.4	43.5	30	82
ZK-040-10	4.0	3/8"	0.3	54	32	81
ZK-15	15	1/2"	3.5	60	45	108
ZK-20	20	3/4"	7.6	67	50	114

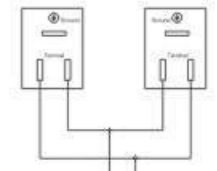
Model	Orifice	Interface	Cv	A	B	C
ZK-25	25	1"	12	82	66	122
ZK-32	32	1 1/4"	24	102	82	147
ZK-40	40	1 1/2"	29	110	85	153
ZK-50	50	2"	48	134	108	166
ZK-65JF	65	flange	55	258	185	330
ZK-80JF	80	flange	85	280	200	330
ZK-100JF	100	flange	129	354	220	390

231D series 3-way solenoid valve DN15、DN20、DN25mm



A type: 2 inlets 1 outlet (mixed type) (port 2, 3 inlet, port 1 outlet)
B type: 1 inlet 1 outlet (Commutative type) (port 1 inlet, port 2 NO port, port 3 outlet)
C type: 1 inlet 2 outlets (diversion type) (port 1 inlet, port 2, 3 outlet)

Working medium: water, liquid, air
Working pressure: see table below
Working voltage: AC220/110V 50/60Hz 24VA, DC24V 20W, IP65, H degree
Control type: 2 inlets 1 outlet (mixed type), 1 inlet 1 outlet (commutative type), 1 inlet 2 outlets (diversion type)
Valve body material: SS304
Sealing material: NBR, EPDM, VITON
Options: LED light connector, ES low power coil (AC220V8VA, DC24V6W)



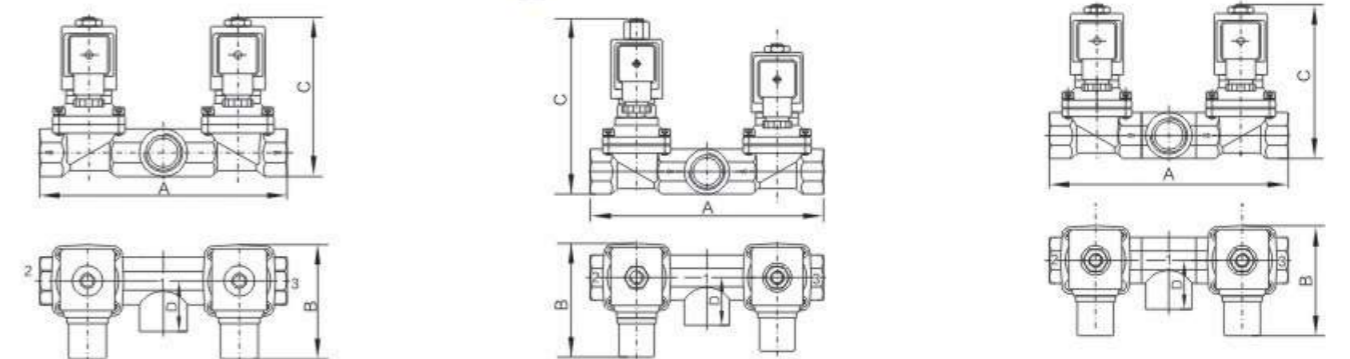
Double coil parallel connection diagram

Order code

1.If order 231D solenoid valve, G1/2", A type, AC220V, order code: 231D-15A-AC220V
 2.If order 231D solenoid valve, G3/4", B type, DC24V, ES low power coil, order code: 231D-20B-ES-DC24V

231D	Thread	T	Control	ES	Voltage
Model	15:1/2" 20:3/4" 25:1"	Blank: G thread T: NPT thread	A: Mixed type B: Commutative type C: Diversion type	Blank: Normal coil ES: Low power coil	AC220V AC110V DC24V

231D series solenoid valve drawing



A type: 2 inlets 1 outlet (mixed type) (port 2, 3 inlet, port 1 outlet)
B type: 1 inlet 1 outlet (Commutative type) (port 1 inlet, port 2 NO port, port 3 outlet)
C type: 1 inlet 2 outlets (diversion type) (port 1 inlet, port 2, 3 outlet)

231D series solenoid valve specification table(mm)

Model	Orifice	Interface	Cv	Working pressure (bar)		A	B	C	D	Working type
				AC220V	DC24V					
231D-15A	15	1/2"	3.5	0~10	0~6	149	76	104	30	A type
231D-15B	15	1/2"	3.5	0~6	0~6	149	82	119	30	B type
231D-15C	15	1/2"	3.5	0~10	0~6	149	76	104	30	C type
231D-20A	20	3/4"	7.6	0~10	0~6	171	79	111	35	A type
231D-20B	20	3/4"	7.6	0~6	0~6	171	84	124	35	B type
231D-20C	20	3/4"	7.6	0~10	0~6	171	79	111	35	C type
231D-25A	25	1"	12	0~10	0~6	209	87	118	45	A type
231D-25B	25	1"	12	0~6	0~6	209	91.5	131	45	B type
231D-25C	25	1"	12	0~10	0~6	209	87	118	45	C type

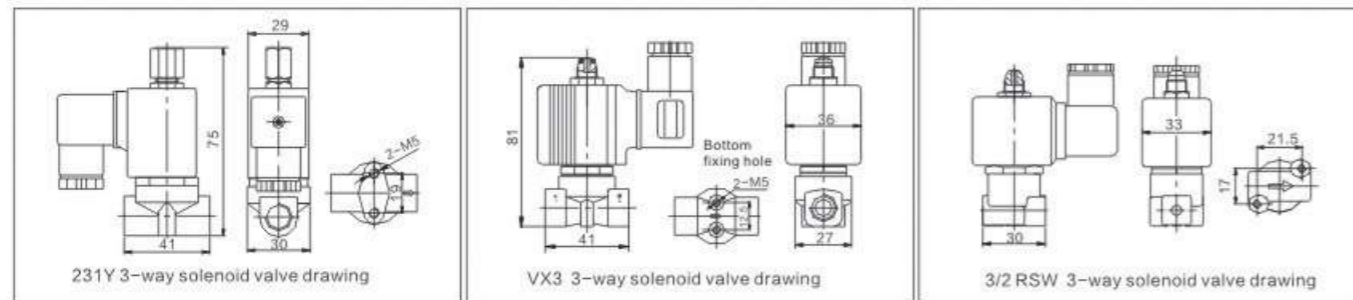
231Y VX3 3/2RSW 3-way solenoid valve



Working medium: water, liquid, air
Working pressure: 0 ~ 15 bar
Valvebody material: Brass, SS316
Interface: G thread, NPT thread
Working voltage: AC220V, AC110V, AC240V, 50Hz/60Hz, DC24V, IP65, H degree
Options: Rc thread
Sealing material: EPDM (-20~130°C) or NBR (-10~80°C)
 VX3 sealing material VITON

Medium temperature: -15 ~ 120°C
Working type: 3-way (NC)
Sealing material: VITON(-15~120°C)

231Y VX3 3/2RSW 3-way solenoid valve drawing



231Y VX3 3/2RSW 3-way solenoid valve specification table

Model	Orifice size (mm)	Interface size	Cv	Working pressure (bar)		power		Valvebody Material	Note
				AC220V	DC24V	AC220V	DC24V		
231Y-015-06	1.5	1/8"	0.09	0-8	0-8	22VA	13W	Brass	NC
231Y-015-08	1.5	1/4"	0.09					SS316	
231Y-030-08	3.0	1/4"	0.4	0-6	0-6	24VA	20W	Brass, SS316	NO, NC
VX3-015 (NO)	1.5	1/8"	0.09	0-15	0-12	18VA	14W	Brass	1in 3 out, 2 NC AC220 with RAC
	1.5	1/4"	0.09						
VX3-015 (NC)	1.5	1/8"	0.09	0-12	0-12	18VA	14W	SS316	2 or 1 out, 1 and 3 are connected AC220 with RAC
	1.5	1/4"	0.09						
3/2RSW-015	1.5	1/8"	0.09	0-8	0-6	13VA	10W	Brass	NC
3/2RSW-020	2.0		0.15	0-6	0-4				
3/2RSW-025	2.5		0.20	0-5	0-3				

VMI series 3-way direct acting solenoid valve DN1.6~4mm

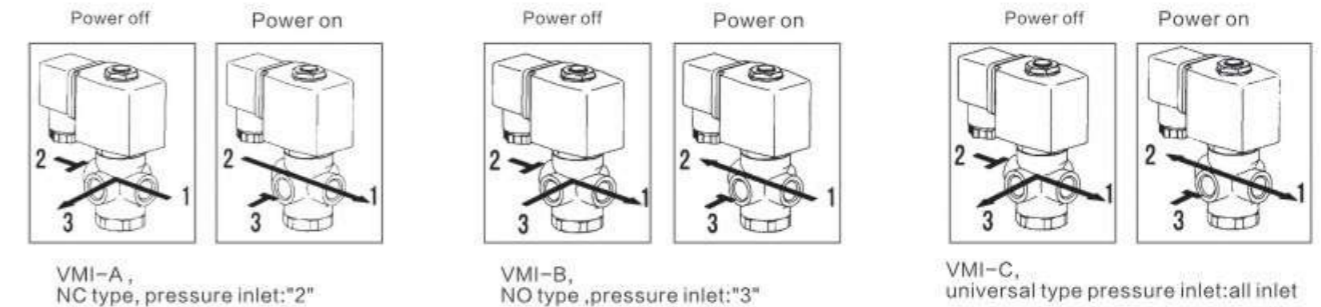


Working medium: air
Medium temperature: -15 ~ 120°C
Working type: direct acting (VMI-A: NC, VMI-B: NO, VMI: Universal type)
Sealing material: VITON (-15~120°C)
Working voltage: AC220~240V, AC110V, 50/60Hz 16VA, DC24/12V 16W, IP65, H degree
Options: EPDM (-20~130°C) or VITON (-15~120°C)

Working pressure: 0 ~ 13 bar
Valvebody material: Brass, SS304
Interface: G thread

VMI-A VMI-B solenoid valve specification table

Model	Interface size	Orifice size (mm)	Cv	Length (mm)	Height (mm)	Medium temperature	Working pressure (bar)		Note
							AC	DC	
VMI-016	1/4"	1.6	0.07	43	96	-15°C~120°C	0-13	0-11	Valve body material: brass SS304 NC type A pressure inlet "2" NO type B pressure inlet "3"
VMI-020		2	0.14				0-11	0-9	
VMI-025		2.5	0.25				0-9	0-7	
VMI-030		3	0.25				0-6	0-4	
VMI-040		4	0.35				0-3	0-2	



Model	Interface size	Orifice size (mm)	Cv	Length (mm)	Height (mm)	Medium temperature	Working pressure (bar)		Note
							AC	DC	
VMI-016	1/4"	1.6	0.07	43	96	-15°C~120°C	0-7	0-5	Valve body material: Brass SS304 Pressure inlet : all
VMI-020		2	0.14				0-5	0-4	
VMI-025		2.5	0.25				0-4	0-3	
VMI-030		3	0.25				0-2.5	0-2	
VMI-040		4	0.35				0-1.7	0-0.8	

RSC series (NC) water dispenser solenoid valve 1/8 " ~1/4 " DN2.5~12mm



RSC-2



RSC-2CB



RSC-2L



RSC-8



RSC-10



RSC-12

Working medium: water, hot water

Medium temperature: 0~100°C

Working pressure: 0~8bar (see table below)

Working type: RSC-1, RSC-2 direct acting (NC)

RSC-8, RSC-10, RSC-12 diaphragm type (NC)

Sealing material: RSC-1, RSC-2, EPDM (-10~130°C) , VMQ (-10~130°C)

RSC-8, RSC-10, RSC-12, VMQ

Valvebody material: PP, POM

Interface: NPT thread, cannula

Working voltage: AC240V AC220/110V, 50/60Hz, 7VA, DC24/12V 5.5W

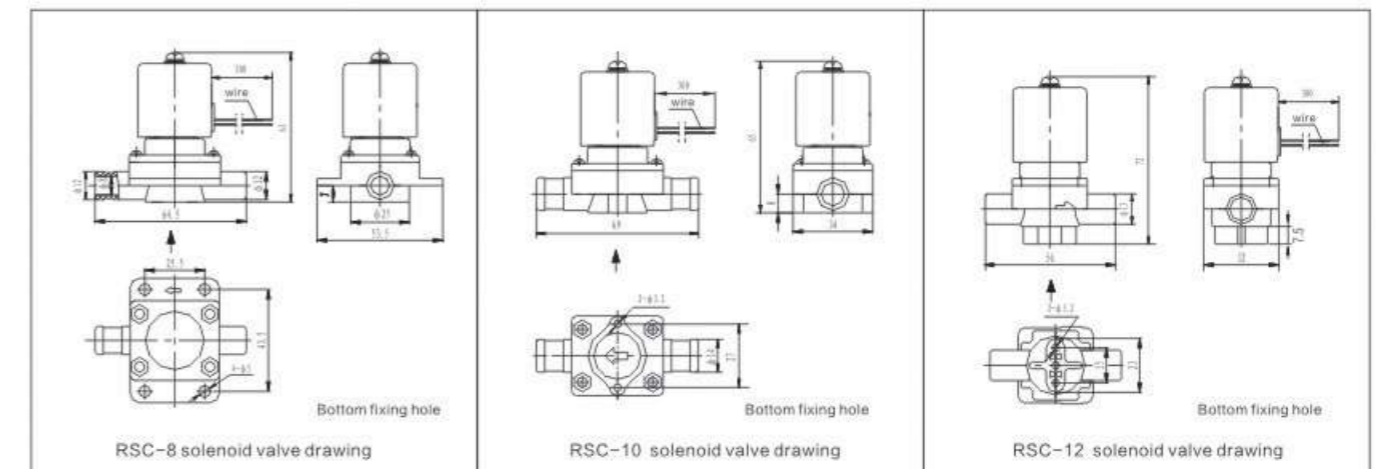
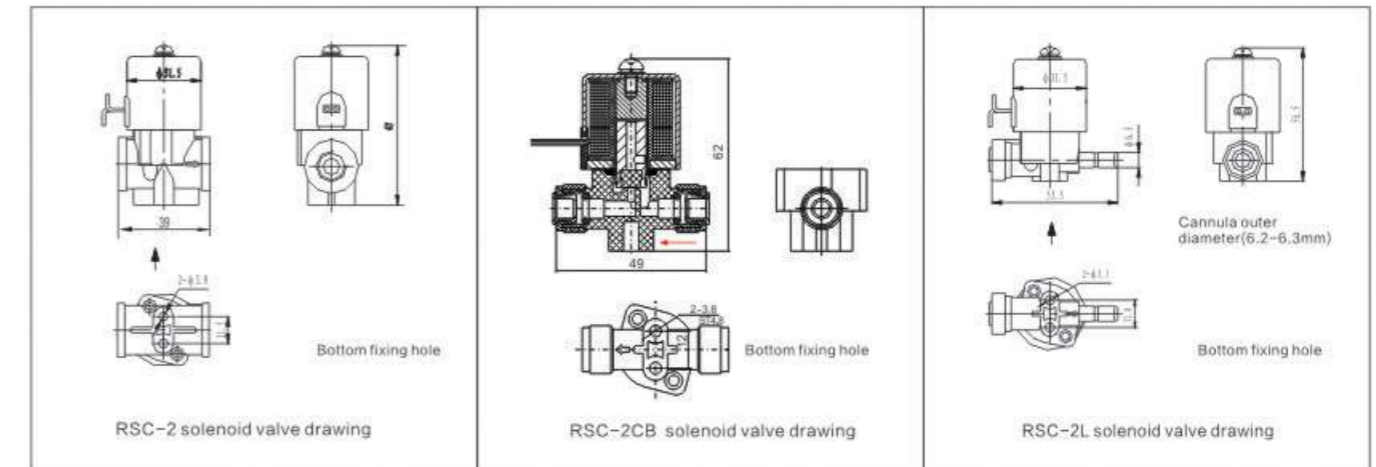
IP54 B degree voltage could be customized

RSC series (NC) water dispenser solenoid valve

RSC series solenoid valve specification table

Model	Interface	Orifice (mm)	Cv	Working pressure (bar)		Power		Material	Weight (Kg)
				AC220V	DC24V	AC220V	DC24V		
RSC-1	NPT1/8"	2.5	0.2	0~8	0~8	7VA	5.5W	PP	0.13
RSC-2	NPT1/4"	2.5	0.2	0~8	0~8				0.13
RSC-2CB	Cannula	2.5	0.2	0~8	0~8			POM	0.13
RSC-2L	Cannula	2.5	0.2	0~8	0~8				0.13
RSC-8	Cannula	8	1.3	600mmH ₂ O				PP	0.14
RSC-10	Cannula	10	2.3						0.14
RSC-12	Cannula	12	3.0			0.13			

RSC series water dispenser solenoid valve drawing



UD series 2-way solenoid valve 1/8" ~ 3/8"



Working medium: water, liquid, air
Medium temperature: -10 ~ 80°C (NBR sealing)
Working pressure: 0 ~ 30bar
Working type: direct acting, pilot operated
Valvebody material: Brass, SS304
Sealing material: NBR(-10~80°C)
Interface: G thread, NPT thread
Working voltage: AC220 ~ 240V, AC110V, 50/60Hz, 22VA
 DC24/12V 13W, IP65, H degree

Options:
 Rc thread, Digital timer, LED light connector
 Sealing material: EPDM (-20~130°C) or VITON (-15~120°C)
 ES: Low temp coil
 Ex: Encapsulated Ex-proof coil

Order code

UD	Thread	J	N	K	T	V	Voltage
Model	06:1/8" 08:1/4" 10:3/8"	Blank:Brass J:SS304	N:Plastic coil ES:low temp coil Ex:Encapsulated Ex-proof coil	Blank:NC K:NO	Blank:G thread T:NPT thread	Blank:NBR V:VITON E:EPDM	AC220V AC110V DC24V

UD series solenoid valve specification table

Model	Interface	Orifice (mm)	Cv	Working pressure (bar)				Dimension L x W x H (mm)	Valvebody material	Weight (Kg)
				NC		NO				
				AC220V	DC24V	AC220V	DC24V			
UD-015-06	1/8"	1.5	0.1	0~30	0~20	0~8	0~8	Φ36 x 75	SS304	0.4
UD-020-08	1/4"	2.0	0.2	0~20	0~15	0~8	0~8	Φ36 x 75		0.4
UD-035-10	3/8"	3.5	0.25	0~10	0~8	0~3	0~3	Φ45 x 81		0.5
UD-C-10N	3/8"	10	3.2	0.3~10	0.3~5	0.1~13	0.1~13	45 x 31 x 86	brass, SS	0.4

VX2 YSV YSV-K-series 2-way direct acting solenoid valve 1/8" ~ 1/2"



Working medium: water, liquid, air, light oil (viscosity ≤ 20cst)
Working pressure: 0 ~ 15bar
Valvebody material: Brass, SS316
Interface: G thread, NPT thread
Working voltage: NC: AC220V / AC110V 50/60Hz, 18VA, DC24V 14W, Junction box with rectifier diode
 NO: AC220V / AC110V 50/60Hz, 22VA, DC24V 13W, IP65, H degree
Options: Digital timer, LED light connector

Medium temperature: -15 ~ 120°C (VITON sealing)
Working type: direct acting (NC, NO)
Sealing material: NC: VITON
 NO: Options VITON, NBR, EPDM

Order code

YSV	Orifice	Thread	J	K	T	Voltage
Model	025:2.5mm 030:3mm 040:4mm 050:5mm	06:1/8" 08:1/4" 10:3/8" 15:1/2"	Blank:Brass J:SS316	Blank:NC K:NO	Blank:G thread T:NPT thread	AC220V AC110V DC24V DC12V

Model	Orifice (mm)	Interface	Cv	working pressure (bar)		dimension A x B x C (mm)	Body material	weight (Kg)
				AC220	DC24V			
VX2-015-08	1.5	1/8" or 1/4"	0.06	0~30	0~30	41 x 27 x 81	Brass or SS316	0.36
VX2-020-08	2.0		0.12	0~25	0~20	41 x 27 x 81		0.36
VX2-025-08	2.5		0.20	0~25	0~16	41 x 27 x 81		0.36
VX2-030-08	3.0		0.25	0~16	0~12	41 x 27 x 81		0.36
VX2-040-08	4.0	3/8" 1/2"	0.30	0~12	0~10	41 x 27 x 81	Brass	0.36
YSV-040-10	4		0.30	0~15	0~12	50 x 25 x 82		0.47
YSV-050-10	5		0.50	0~6	0~6	50 x 25 x 82		0.47
YSV-040-15	4		0.30	0~15	0~12	50 x 28 x 85		0.50
YSV-050-15	5		0.40	0~6	0~6	50 x 28 x 85		0.50
YSV-060-15	6		0.70	0~3	0~3	50 x 28 x 85		0.50
YSV-040-10K	4	3/8"	0.30	0~3	0~3	50 x 25 x 84		0.45

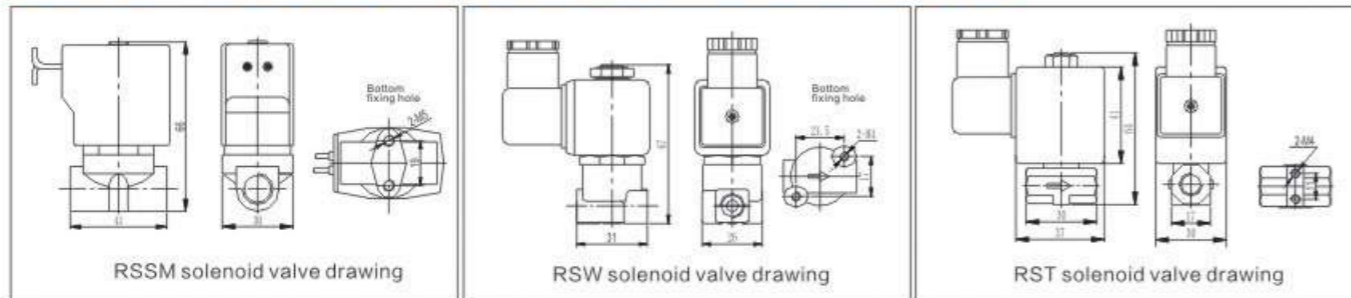
RSSM RSW RST series 2-way direct acting solenoid valve 1/8" ~ 1/4"



Working medium: water, liquid, air
Working pressure: 0~12bar
Valvebody material: Brass SS316
Interface: G thread, NPT thread
Working voltage: AC220~240V, AC110V, 50Hz/60Hz, DC24/12V, IP65, F degree
Options:
Sealing material: VITON (-10~120°C), EPDM (-10~130°C)

Medium temperature: -10~80°C(NBR sealing)
Working type: direct acting (NC)
Sealing material: NBR(-10~80°C)

RSSM RSW RST series 2-way direct acting solenoid valve drawing



RSSM RSW RST series 2-way direct acting solenoid valve specification table

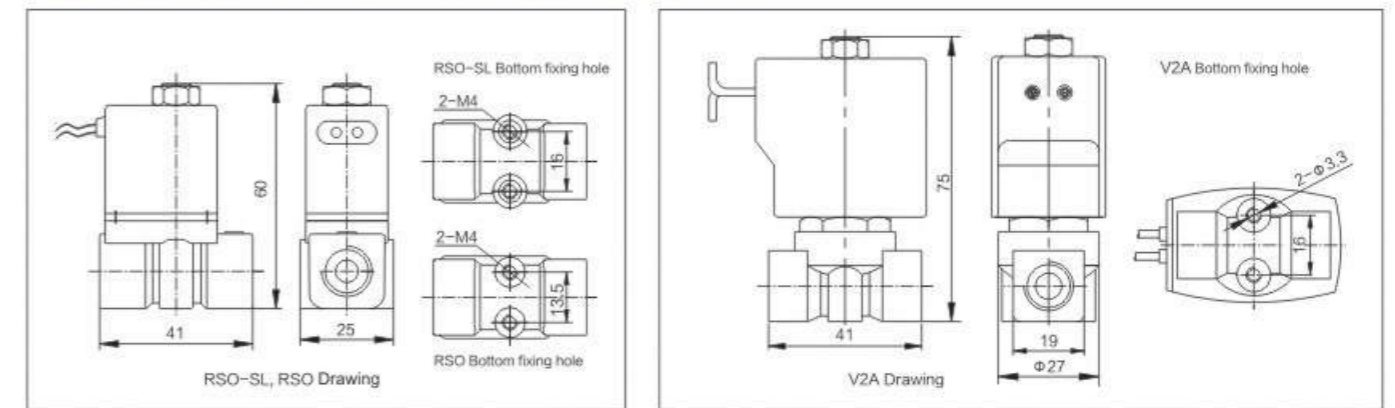
Model	Orifice size (mm)	Interface size	Cv	Working pressure (bar)		Power		Valvebody Material	Weight (kg)
				AC220V	DC24V	AC220V	DC24V		
RSSM-020-06	2	1/8"	0.12	0~10	0~8	10VA	8W	Brass SS316	0.3
RSSM-030-08	3	1/4"	0.20	0~8	0~7				
RSSM-040-08	4	1/4"	0.3	0~6	0~5	13VA	10W	Brass	0.26
RSW-015-06	1.5	1/8"	0.06	0~15	0~12				
RSW-020-06	2.0		0.12	0~10	0~8				
RSW-025-06	2.5		0.20	0~8	0~6				
RSW-030-06	3.0		0.25	0~6	0~5				
RST-015-08	1.5	1/4"	0.06	0~20	0~15	15VA	12W	Brass	0.23
RST-020-08	2.0		0.12	0~12	0~10				
RST-025-08	2.5		0.20	0~10	0~6				
RST-030-08	3.0		0.25	0~8	0~3				
RST-040-08	4.0		0.3	0~6	0~2				

RSO-SL RSO V2A series 2-way mini solenoid valve 1/8" ~ 1/4"



Working medium: water, liquid, air
Medium temperature: -10~80°C(NBR sealing)
Working pressure: 0~8bar
Working type: direct acting(NC)
Valvebody material: Brass, PP, PA66(details see specification table)
Sealing material: NBR
Interface: G thread, NPT thread
Working voltage: AC220~240V, AC110V, 50/60Hz, DC24V, DC12V, IP65, F degree

RSO-SL RSO V2A series solenoid valve drawing



RSO-SL RSO V2A series solenoid valve specification table

Model	Orifice size (mm)	Interface size	Cv	Working pressure (bar)		Power		Valvebody material	Weight (Kg)
				AC220V	DC24V	AC220V	DC24V		
RSO-SL	2.5	1/8" 1/4"	0.2	0~8	0~8	7VA	6W	PP (black)	0.12
RSO	2.5	1/8" 1/4"	0.2	0~8	0~8	7VA	6W	brass	0.2
V2A	3	1/4"	0.4	0~10	0~8	10VA	8W	PA66 (black)	0.2

231S 231W YSL-028 plate type miniature solenoid valve



231S 3-way solenoid valve 231W 3-way solenoid valve NC YSL-028 2-way solenoid valve NC

Working medium: water, liquid, air
Medium temperature: -10~120°C
Working type: direct acting
Sealing material: VITON
Working voltage: AC220~240V, AC110V, 50/60Hz; DC24/12V, IP65, H degree

Working pressure: 0~20 bar
Valvebody material: forged brass
Connection: bolts connection

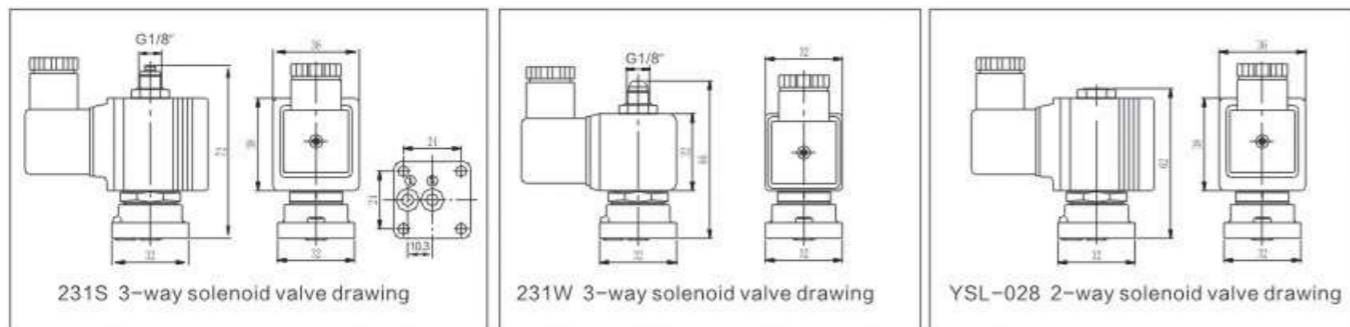


Plate type mini solenoid valve drawing

Model	Interface size	Orifice size (mm)	Cv	Working pressure (bar)		power		Weight (kg)	Note
				AC220V	DC24V	AC220V	DC24V		
231S (NO)	Plate series 1/8"	1.5	0.06	0~15	0~12	22VA	14W	0.35	1 in 3 out, 2 is NC, AC voltage is RAC connector
231S (NC)	Plate series 1/8"	1.5	0.06	0~12	0~12	22VA	14W	0.35	2 in, 2 is NC 1 and 3 through AC voltage is RAC connector
		2.0	0.12	0~10	0~10				
231W(NC)	Plate series 1/8"	1.5	0.06	0~8	0~6	13VA	10W	0.23	NC type, port2 always inlet port, normal type
		2.0	0.12	0~6	0~4				
YSL-028	Plate series	1.5	0.06	0~30	0~20	22VA	14W	0.34	two-way NC type
		2.0	0.12	0~25	0~16				

YSF series electric iron, coffee machine direct acting solenoid valve



YSF-024 YSF-024J YSF-025 YSF-025J YSF-027

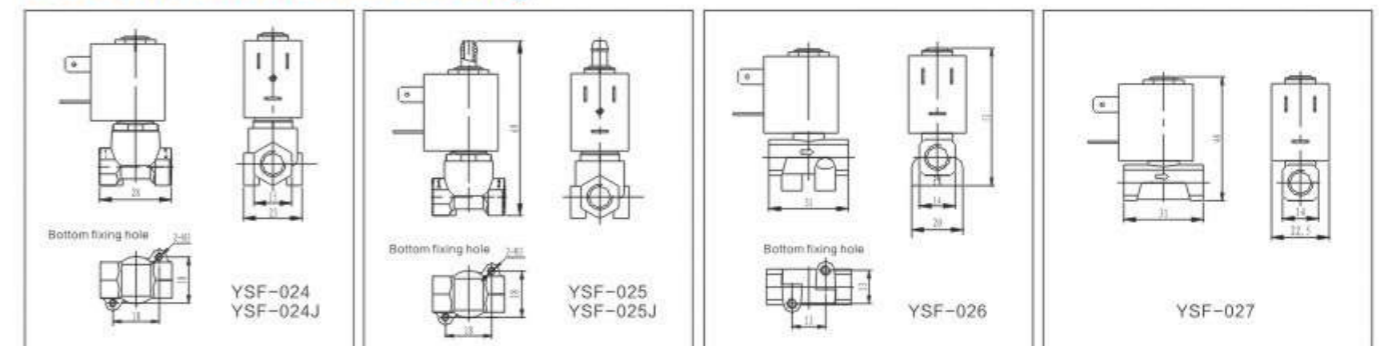
Working medium: water, liquid, air, steam
Medium temperature: -10~120°C
Valve body material: Brass SS316
Working voltage: AC220V, 110V 50/60Hz, 13VA, DC24V 8W, DC12V 6.5W, IP65, H degree
Interface thread: G thread NPT thread

Working pressure: 0~10bar (see table below)
Working type: direct acting (NC, YSF-025 is 3-way NO)
Sealing material: VITON (medium temperature -10~120°C)
Options: DIN43650B connector, LED light connector

YSF series solenoid valve specification table

Model	Interface	Orifice (mm)	Cv	Working pressure(bar)				Valvebody material	Note	weight (Kg)
				Steam		Liquid,air,water				
				AC220V	DC24V	AC220V	DC24V			
YSF-024 YSF-024J	G 1/8 "	1.5	0.09	0~6	0~6	0~10	0~10	Brass or SS316	2-way NC	0.13
		2.0	0.20	0~6	0~6	0~8	0~8			
		2.5	0.25	0~3	0~3	0~5	0~5			
YSF-025 YSF-025J	G1/8 "	1.5	0.09	0~6	0~6	0~10	0~10	Brass or SS316	3-way NO "1" in "3" out	0.13
		2.0	0.20	0~6	0~6	0~8	0~8			
		2.5	0.25	0~3	0~3	0~5	0~5			
YSF-026	G1/8 "	2.0	0.20	0~6	0~6	0~8	0~8	brass	2-way NC	0.13
YSF-027		2.0	0.20	0~6	0~6	0~8	0~8			

YSF series solenoid valve drawing



YS Series Digital Timer

Specification parameter table

Product model	YS-720
Working voltage	24V-240V AC/DC
Working temperature	-10°C-70°C
The switch capacity	1A
Protection grade	IP65
Open time	0.5-10 seconds
Closing time	0.5 min - 45 min
Connection method	DIN43650A



Specification parameter table

Product model	YS-790L	YS-790H
Working voltage	7V-36V AC/DC	110V-240V AC/DC
Working temperature	-10°C-70°C	
The switch capacity	1.5A max	
Protection grade	IP65	
Time setting	open: 0.1-99 s close: 0.5-99 min	
Circulation patterns	First open then close or first close then open	
Connection method	DIN43650A	



Specification parameter table

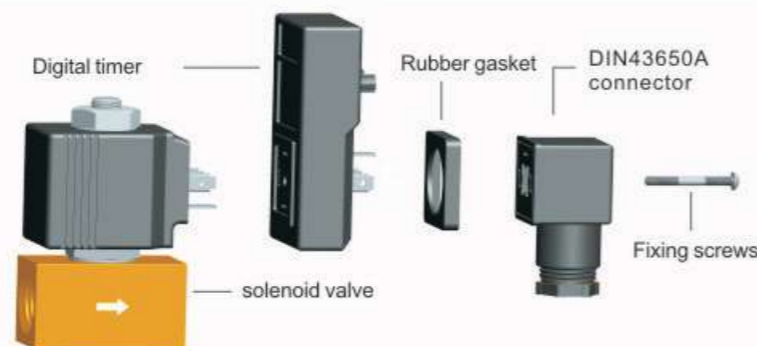
Product model	YS-3800L	YS-3800H
Working voltage	7V-36V AC/DC	110V-240V AC/DC
Working temperature	-10°C-50°C	
The switch capacity	1A	
Protection grade	IP65	
Open time	1 sec-99 h 59 min 59 sec Two-way adjustable	
Circulation patterns	First open then close or first close then open	
Singel mode	Specify a time to open	
Connection method	DIN43650A	



Digital timer assembly



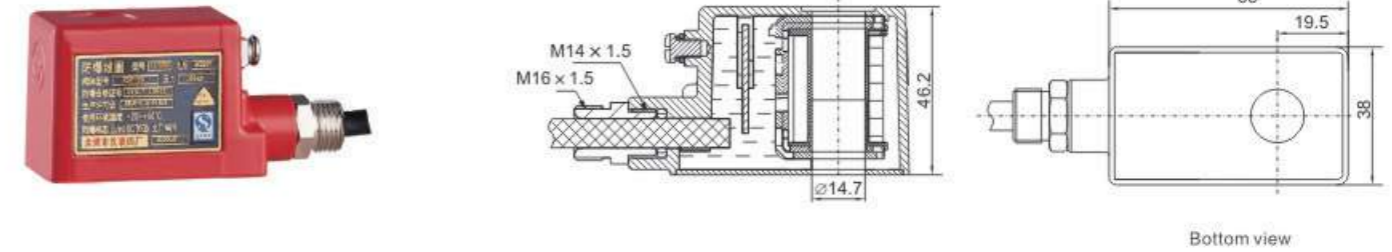
Digital timer and solenoid valve assembly exploded view



Encapsulation type low temperature explosion-proof coil

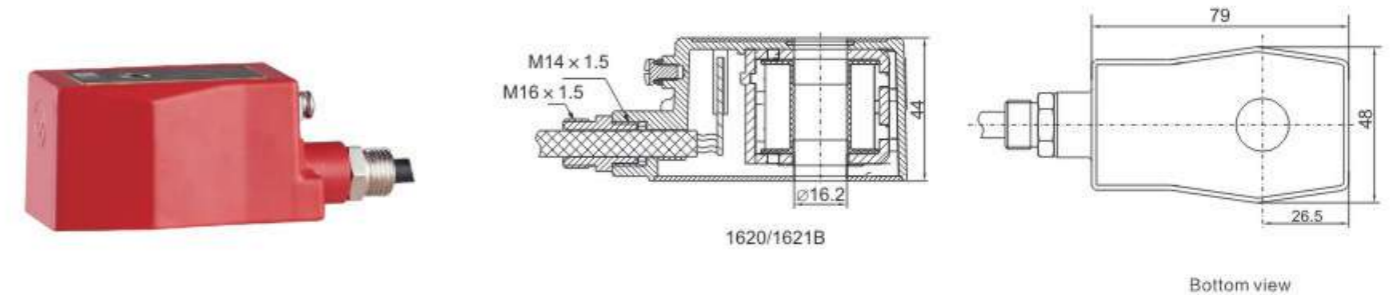
Obtained a design patent: EU patent No.003866250-0001, Chinese patent number No.201730165626.2, No.201720504647.7
 Certificate of conformity: GYB17.1593 3C certificate number: 2020322307000072
 Explosion-proof degree: Ex mb II C T6 Gb Connection method: Cable connection, length 1.5M

Model: AC: 14.521 AEx DC:14.520AEx



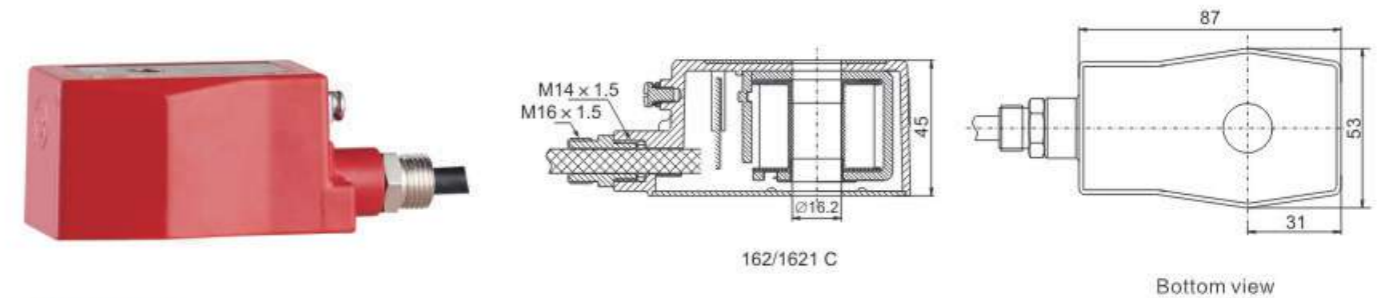
Main feature: Low temperature rise ($\leq 40^\circ\text{C}$), energy saving, explosion-proof
Working Voltage: AC220V, AC110V, AC24V, DC24V, DC12V
Holding power: AC220/110V 5VA, AC24V 6VA, DC24V 4W, DC12V 3W
Starting power: AC220V 56VA, AC110V 60VA, AC24V 20VA, DC24V 40W, DC12V 30W

Model: AC: 1621 BEx DC:1620BEx



Main feature: Low temperature rise ($\leq 40^\circ\text{C}$), energy saving, explosion-proof
Working Voltage: AC220V, AC110V, AC24V, DC24V, DC12V
Holding power: AC220V 7VA, AC110V 9VA, AC24V 5VA, DC24V 5W, DC12V 3W
Starting power: AC220V 90VA, AC110V 100VA, AC24V 25VA, DC24V 55W, DC12V 38W

Model: AC: 1621 CEx DC:1620CEX

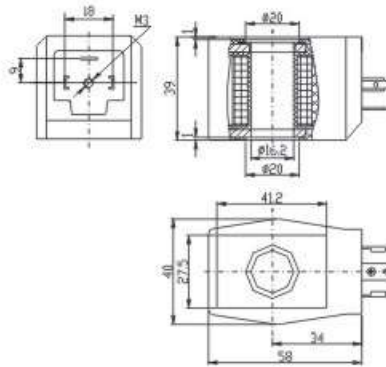


Main feature: Low temperature rise ($\leq 40^\circ\text{C}$), energy saving, explosion-proof
Working Voltage: AC220V, AC110V, AC24V, DC24V, DC12V
Holding power: AC220V 8VA, AC110V 9VA, AC24V 7VA, DC24V 8W, DC12V 4W
Starting power: AC220V 92VA, AC110V 100VA, AC24V 30VA, DC24V 55W, DC12V 45W

ES series low power energy saving coil, hole diameter: $\phi 14.5\text{mm}, \phi 16\text{mm}$

Main feature: Low power and low temperature rise ($\leq 40^\circ\text{C}$), high attraction, environmental protection and energy saving. Solenoid valve uses fluid temperature $-10\sim 80^\circ\text{C}$.

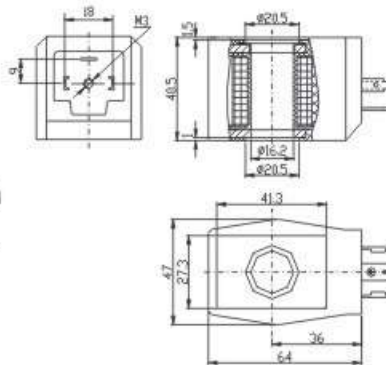
Model: ES01-410A/B



Common voltage: AC220/110V 50/60 Hz, DC24V/12V					
ES01-410A			ES01-410B		
Voltage	Power(AC50Hz)		Voltage	Power(AC50Hz)	
	Start up	maintain		Start up	maintain
AC220V	64VA	4VA	AC220V	89VA	5VA
AC110V	80VA	6VA	AC110V	102VA	8VA
DC24V	37W	4W	DC24V	38W	6W

Waterproof level IP65, Insulation class: H, DIN43650A

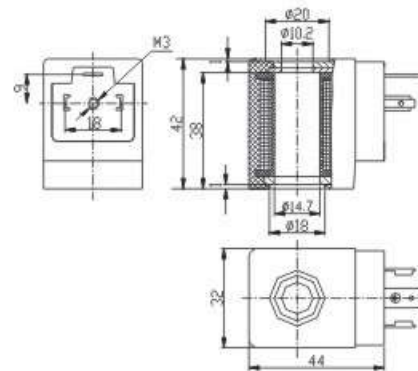
Model: ES03-510A/B



Common voltage: AC220/110V 50/60 Hz, DC24V/12V					
ES03-510A			ES03-510B		
Voltage	Power(AC50Hz)		Voltage	Power(AC50Hz)	
	Start up	maintain		Start up	maintain
AC220V			AC220V	154VA	8VA
AC110V			AC110V	85VA	8VA
DC24V			DC24V	50W	7W

Waterproof level IP65, Insulation class: H, DIN43650A

Model: ES04-310A/B

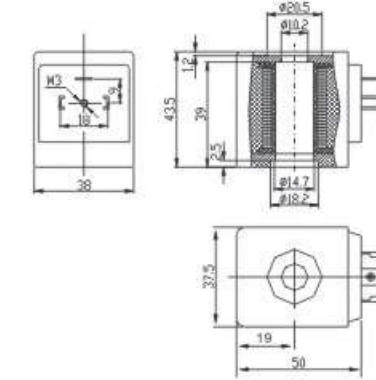


Common voltage: AC220/110V 50/60 Hz, DC24V/12V					
ES04-310A			ES04-310B		
Voltage	Power(AC 50Hz)		Voltage	Power(AC 50Hz)	
	Start up	maintain		Start up	maintain
AC220V	38VA	3VA	AC220V	130VA	6VA
AC110V	45VA	3VA	AC110V	95VA	8VA
DC24V	16W	3W	DC24V	24W	4W

Waterproof level IP65, Insulation class: H, DIN43650A

ES series low power energy saving coil, hole diameter: $\phi 14.5\text{mm}, \phi 20\text{mm}$

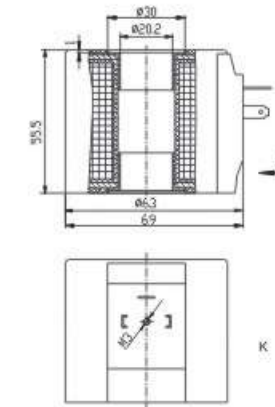
Model: ES05-450A/B



Common voltage: AC220/110V 50/60 Hz, DC24V/12V					
ES05-450A			ES05-450B		
Voltage	Power(AC50Hz)		Voltage	Power(AC50Hz)	
	Start up	maintain		Start up	maintain
AC220V	80VA	4VA	AC220V	155VA	8VA
AC110V	69VA	5VA	AC110V	95VA	9VA
DC24V	28W	4W	DC24V	44W	6W

Waterproof level IP65, Insulation class: H, DIN43650A

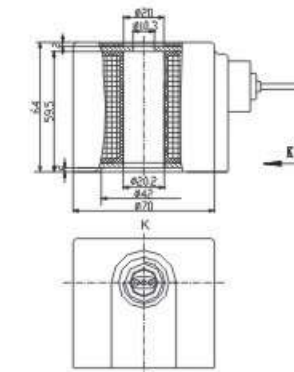
Model: ES09-210



Common voltage: AC220/110V 50/60 Hz, DC24V/12V					
Voltage	Power				
	50/60Hz (VA)		DC(W)		
	Start up	maintain	Start up	maintain	
AC220V	170	9			
AC110V	82	7			
DC24V			75	8	

Waterproof level IP65, Insulation class: H, DIN43650A

Model: ES07-710

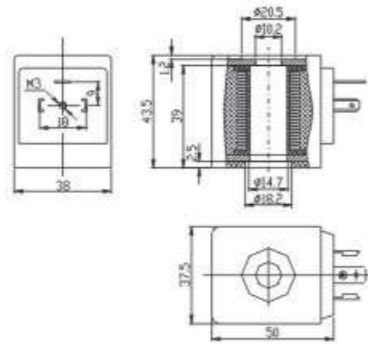


Common voltage: AC220/110V 50/60 Hz, DC24V/12V					
Voltage	Power				
	50/60Hz (VA)		DC(W)		
	Start up	maintain	Start up	maintain	
AC220V	120	8			
AC110V	90	8			
DC24V			75	8	

Waterproof level IP65, Insulation class: H, DIN43650A

UL certified: D05-450 series, certification number: MH64017

Model: D05-450

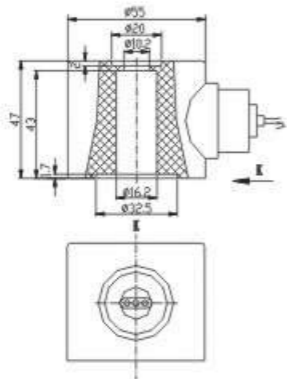


D05-4501 AC220V 50/60Hz 23VA
 D05-4501A AC240V 50/60Hz 21VA
 D05-4502 AC110V 50/60Hz 22VA
 D05-4502A AC120V 50/60Hz 21VA
 D05-4504 AC24V 50/60Hz 21VA
 D05-4506 DC24V 18W
 D05-4507 DC12V 18W
 D05-45010 DC36V 17W
 Waterproof level IP65, Insulation class:H
 Connection type:DIN43650A

Normal thermoset plastic coil, hole diameter: $\phi 16\text{mm}$, $\phi 20\text{mm}$

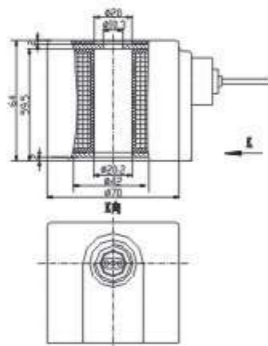
Suitable for water, liquid, gas, and other solenoid valves, Can also be used for steam solenoid valves, fluid temperatures $\leq 180^\circ\text{C}$

Model: Z01/02



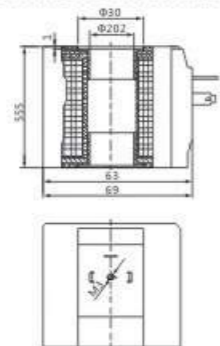
Common voltage:AC220V/110V50/60Hz, DC24V/12V
 Power:
 Z01: AC220V 20VA, AC110V 17VA,DC24V 20W
 Z02:AC220V 23VA, AC110V 21VA,DC24V 28W
 Waterproof levelIP65, Insulation class:H
 Connection type:Wire lead

Model: Z03



Common voltage: AC220/110V50/60Hz, DC24V/12V
 Power: AC220V 50Hz 48VA AC110V 50Hz 50VA
 DC24V 42W
 Waterproof levelIP65, Insulation class:H
 Connection type:Wire lead

Model: D09-210

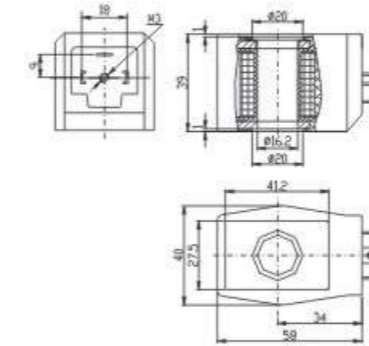


Common voltage: AC220/110V50/60Hz, DC24V/12V
 Power: AC220V 50Hz30VA, AC110V 50Hz36VA
 DC24V 38W
 Waterproof levelIP65, Insulation class:H
 Connection type: DIN43650A

Normal thermoset plastic coil, hole diameter: $\phi 14.5\text{mm}$, $\phi 16\text{mm}$

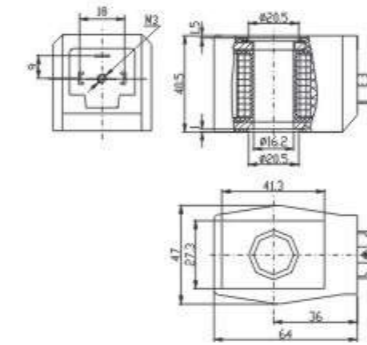
Suitable for water, liquid, gas, and other solenoid valves, Can also be used for steam solenoid valves, fluid temperatures $\leq 180^\circ\text{C}$

Model: D01-410



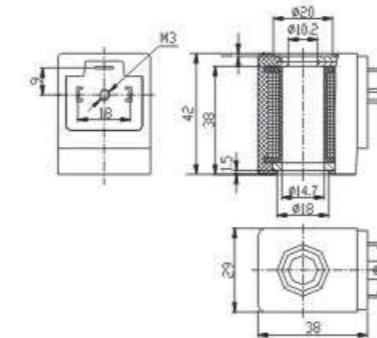
Common voltage:AC220/110V 50/60 Hz, DC24V/12V
 Power:AC220V /AC110V 50Hz 20VA, DC24V 20W
 Waterproof levelIP65
 Insulation class:H
 Connection type:DIN43650A

Model: D03-510



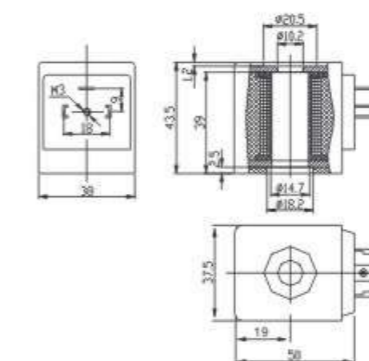
Common voltage:AC220/110V 50/60 Hz, DC24V/12V
 Power:AC220V/AC110V 50Hz 40VA, DC24V 32W
 Waterproof levelIP65
 Insulation class:H
 Connection type:DIN43650A

Model: D04-310



Common voltage:AC220/110V 50/60 Hz, DC24V/12V
 Power :AC220V/AC110V 50Hz22VA,DC24V 13W
 Waterproof levelIP65
 Insulation class:H
 Connection type:DIN43650A

Model: D05-450



Common voltage:AC220/110V 50/60 Hz, DC24V/12V
 Power:AC220V/AC110V 50Hz 24VA, DC24V 20W
 Waterproof levelIP65
 Insulation class:H
 Connection type:DIN43650A